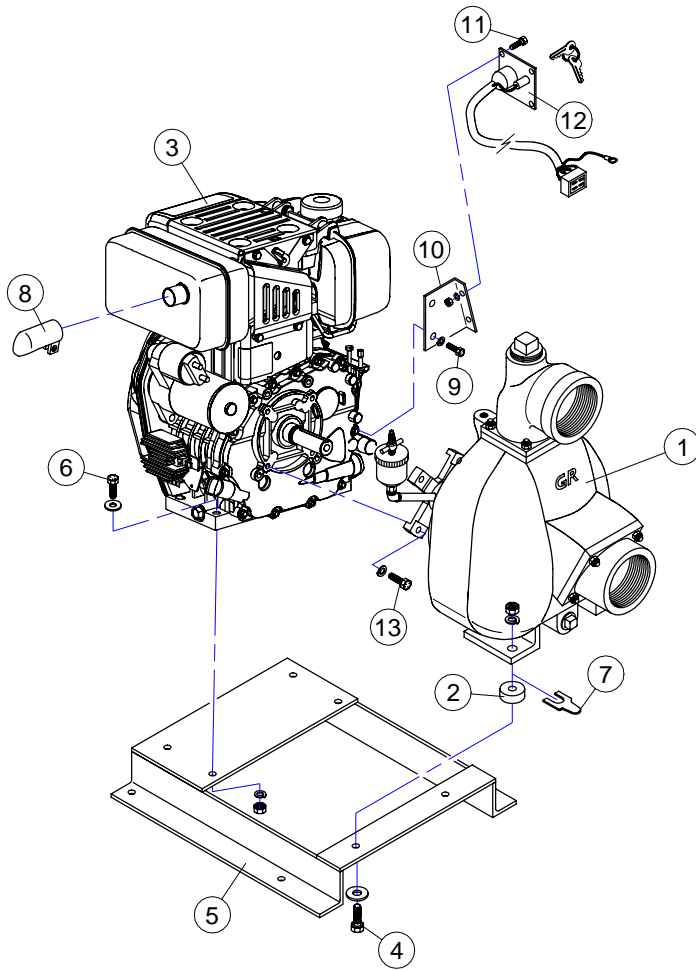


PU-D3 ASSEMBLY PARTS LIST
(#PU-D3)

| REF # | DESCRIPTION | STS P/N | QTY REQ. |
|-------|--------------------------|-------------------|----------|
| 1 | Gorman-Rupp 3" Pump | 060-GR83A2-KIT | 1 |
| 2 | Pump Leg Spacers | M-300D-02-A | 2 |
| 3 | Yanmar L100V Engine | 033-L100V6DA1F1AA | 1 |
| 4 | 3/8" x 2" Bolt | 076-13111 | 2 |
| | 3/8" F/W | 076-33008 | 2 |
| | 3/8" L/W | 076-33622 | 2 |
| | 3/8" Nut | 076-36306 | 2 |
| 5 | Engine / Pump Mount Base | M-300D-01 | 1 |
| 6 | 3/8" x 2" Bolt | 076-13111 | 4 |
| | 3/8" F/W | 076-33008 | 4 |
| | 3/8" L/W | 076-33622 | 4 |
| | 3/8" Nut | 076-36306 | 4 |
| 7 | Motor Shim S/S | 034-QA SHIM PACK | as req. |
| 8 | Exhaust Deflector | 114699-13800 | 1 |
| 9 | 8mm x 20mm Bolt | 076-38615 | 2 |
| | 8mm L/W | 076-40383 | 2 |
| 10 | Panel Mount | M-300D-09 | 1 |
| 11 | 1/4" x 1/2" Bolt | 076-13001 | 2 |
| | 1/4" L/W | 076-33618 | 2 |
| | 1/4" Nut | 076-36302 | 2 |
| 12 | Key Switch Panel | 114351-77500 | 1 |
| 13 | 8mm x 45mm Bolt | 076-38620 | 4 |
| | 8mm L/W | 076-40383 | 4 |
| | 10w30 engine motor oil | 074-1030DURON | 1.6L |

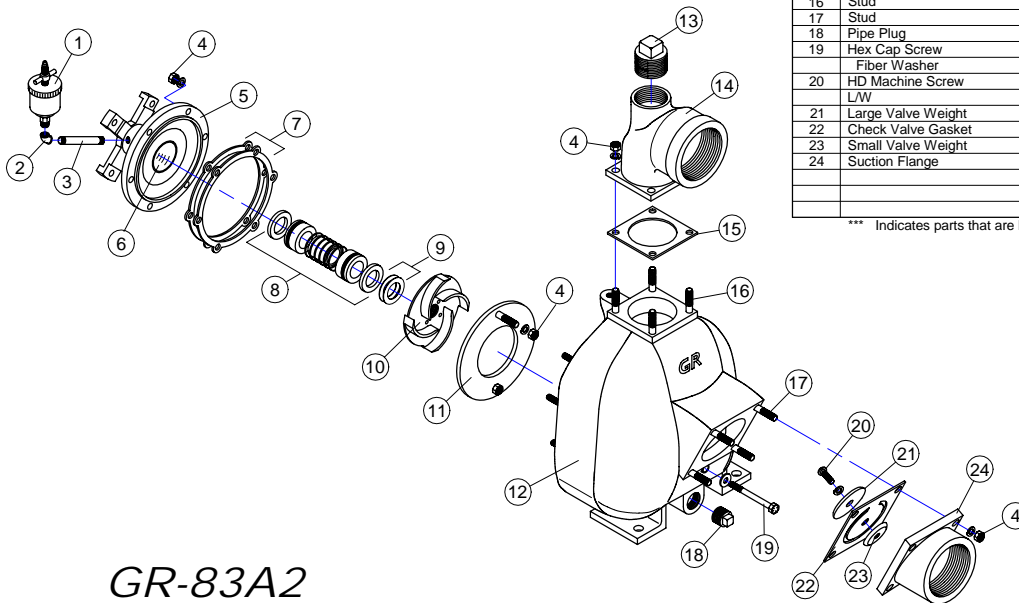


L100V ENGINE

GR-83A2 ASSEMBLY PARTS LIST
(P/N #060-GR83A2-KIT)

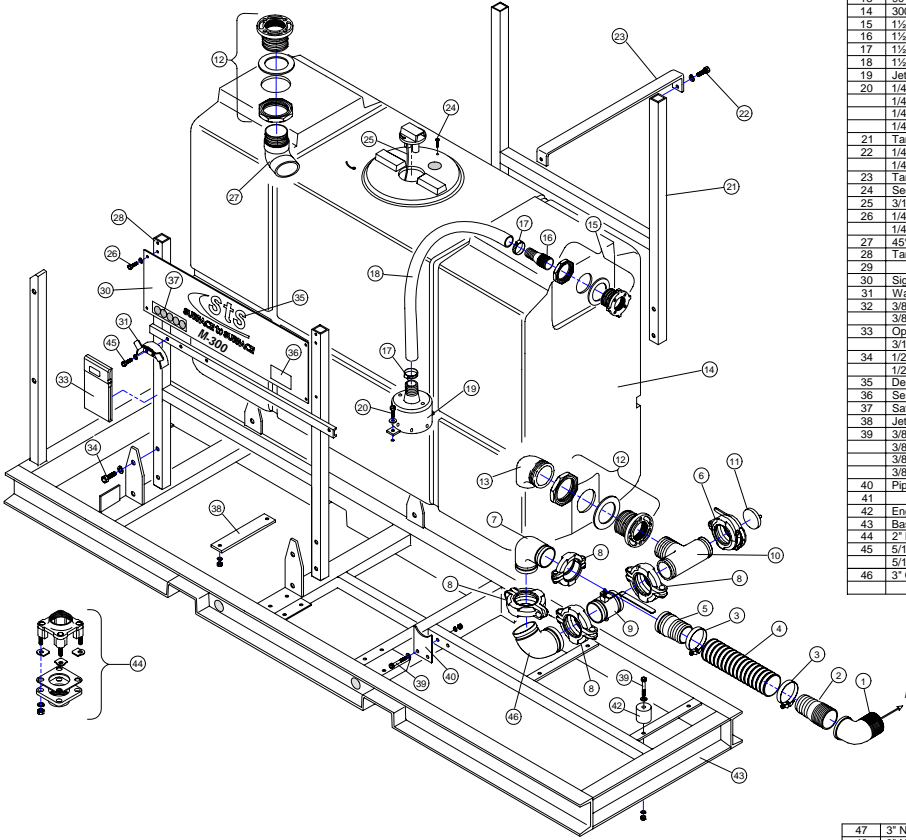
| REF # | DESCRIPTION | STS PART NUMBER | QTY REQ. |
|-------|------------------------|-----------------|----------|
| 1 | Grease Cup | 060-S36 | 1 |
| 2 | 1/4" 45° Elbow | 060-AG04-11999 | 1 |
| 3 | 1/4" NPT x3" Nipple | 060-T0412-15079 | 1 |
| 4 | 3/8" Nut | 060-D0615991 | 7 |
| | 3/8" L/W | 076-33622 | 7 |
| 5 | Seal Plate Assembly | 060-427A10010 | 1 |
| 6 | Brass Seal Liner | 060-8314080 | 1 |
| 7 | Casing Gasket Set | 060-229G18000 | 1 |
| 8 | Grease Seal assembly | 060-GS1000 | 1 |
| 9 | ***Shim Pack | 060-2X17090 | 1 |
| 10 | Impeller | 060-GR6950A-M | 1 |
| 11 | Wear Plate | 060-695115990 | 1 |
| 12 | Pump Casing | 060-6882A10010 | 1 |
| 13 | Pipe Plug | 060-48271-067 | 1 |
| 14 | Discharge Elbow | 060-54310010 | 1 |
| 15 | Discharge Elbow Gasket | 060-543G18000 | 1 |
| 16 | Stud | 060-C060715991 | 4 |
| 17 | Stud | 060-C060615991 | 4 |
| 18 | Pipe Plug | 060-P1215079 | 1 |
| 19 | Hex Cap Screw | 060-B061815991 | 1 |
| | Fiber Washer | 060-KF0618040 | 1 |
| 20 | HD Machine Screw | 060-X040317090 | 1 |
| | L/W | 060-J0417090 | 1 |
| 21 | Large Valve Weight | 060-136410010 | 1 |
| 22 | Check Valve Gasket | 060-544G19070 | 1 |
| 23 | Small Valve Weight | 060-1810010 | 1 |
| 24 | Suction Flange | 060-294610010 | 1 |

*** Indicates parts that are NOT shipped with pump assembly.

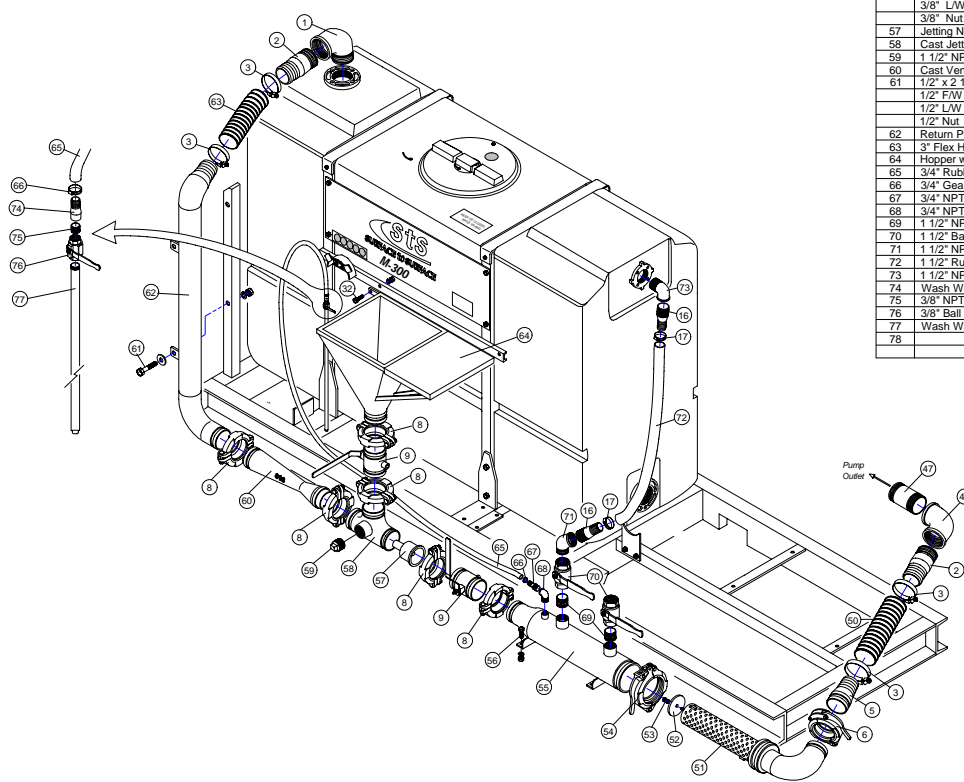


GR-83A2

BU-300-1 ASSEMBLY PARTS LIST
(P/N #BU-300-1)



| REF # | DESCRIPTION | STS PART NUMBER | QTY REQ. |
|-------|------------------------------|------------------|----------|
| 1 | 3" NPT 90° Street Elbow | 018-310-01760-3 | 2 |
| 2 | 3" NPT X Hose Barb | 018-1661268258 | 3 |
| 3 | 3" Band Clamp | 025-M0-86 | 6 |
| 4 | 3" Flex Hose | JR-3019-F | 1 |
| 5 | 3" Groove x Hose Barb | 020-166-126828 | 2 |
| 6 | 3" Hinge-Loc Coupler | 020-390-20006-1 | 2 |
| 7 | 3" Grooved 90° Elbow | 020-390-01428-4 | 2 |
| 8 | 3" Groove-Loc Coupler | 020-390-00030-5 | 10 |
| 9 | 3" Grooved Butterfly Valve | 023-7005-01139 | 3 |
| 10 | 3" Grooved x NPT Suction Tee | 020-9902900175 | 1 |
| 11 | 3" Grooved End Cap | 020-390-03018-7 | 1 |
| 12 | 3" Tank Bung | 086-3" TANK BUNG | 2 |
| 13 | 90° PVC Suction Elbow | JR-3021-B | 1 |
| 14 | 300 gal. Tank | 086-MNP250NF | 1 |
| 15 | 1½" Tank Bung | 086-1.5 BUNG | 1 |
| 16 | 1½" NPT X Hose Barb | 018-1661268233 | 3 |
| 17 | 1½" Gear Clamp | 025-HS 28 | 4 |
| 18 | 1½" Rubber Hose | SR-75078-B | 1 |
| 19 | Jet Gun Casting | SR-75048 | 1 |
| 20 | 1/4" x 1 1/2" Bolt | 076-13009 | 2 |
| | 1/4" LW | 076-33618 | 2 |
| | 1/4" FW | 076-33004 | 2 |
| | 1/4" Nut | 076-36302 | 2 |
| 21 | Tank Up-rite (back side) | JR-3013 | 1 |
| 22 | 1/4" x 3/4" Bolt | 076-13003 | 4 |
| | 1/4" LW | 076-33618 | 4 |
| 23 | Tank Straps | JR-3017 | 2 |
| 24 | Security Screws | 076-1Y3400032SS | 2 |
| 25 | 3/16" Poly Nylon Rope | 084-3/16 ROPE | 18" |
| 26 | 1/4" x 1/2" Bolt | 076-13001 | 4 |
| | 1/4" LW | 076-33618 | 4 |
| 27 | 45° PVC Return Elbow | JR-3021-A | 1 |
| 28 | Tank Up-rite (hopper side) | JR-3012 | 1 |
| 29 | | | |
| 30 | Sign Plate | JR-3047 | 1 |
| 31 | Wash Wand Holder | SR-75017 | 1 |
| 32 | 3/8" x 1 1/4" Bolt | 076-13107 | 2 |
| | 3/8" LW | 076-33622 | 2 |
| 33 | Operators Manual Holder | 084-9000-07 | 1 |
| | 3/16" Rivet | 076-41228 | 2 |
| 34 | 1/2" x 1" Bolt | 076-13205 | 8 |
| | 1/2" LW | 076-33626 | 1 |
| 35 | Decal Set | 070-BU-300SET | 1 |
| 36 | Serial Number Plate | 071-ST5-001-300 | 1 |
| 37 | Safety Decals | 070-BU HCS KIT | 1 |
| 38 | Jet Gun Mounting Bar | SR-75049 | 1 |
| 39 | 3/8" x 3" Bolt | 076-13115 | 6 |
| | 3/8" FW | 076-33008 | 6 |
| | 3/8" LW | 076-33622 | 6 |
| | 3/8" Nut | 076-36306 | 6 |
| 40 | Pipe Support | JR-3011 | 1 |
| 41 | | | |
| 42 | Engine Mount Spacers | SR-75016 | 4 |
| 43 | Base Frame | JR-301Y | 1 |
| 44 | 2" Bottom Drain Bung | 086-BF220BD | 1 |
| 45 | 5/16" x 1" Bolt | 076-13055 | 2 |
| | 5/16" LW | 076-33620 | 2 |
| 46 | 3" Grooved 45° Elbow | 020-390-01482-7 | 1 |



| | | | |
|----|-------------------------------|-----------------|---|
| 47 | 3" NPT x 4 1/2" Nipple | 018-330-04600-4 | 1 |
| 48 | 3" NPT 90° Elbow | 018-310-00220-9 | 1 |
| 49 | | | |
| 50 | 3" Flex Hose | JR-3019-F | 1 |
| 51 | Filter Shear Carriage | JR-3026V | 1 |
| 52 | Filter Shear Carriage End Cap | JR-3028-3 | 1 |
| 53 | 5/16" NC Nut | 076-36304 | 1 |
| | 5/16" LW | 076-33620 | 1 |
| 54 | 5" Hinge-Loc Coupler | 020-390-20012-9 | 1 |
| 55 | Filter Shear Housing | JR-3030 | 1 |
| 56 | 3/8" x 1 1/4" Bolt | 076-13107 | 4 |
| | 3/8" LW | 076-33622 | 4 |
| | 3/8" Nut | 076-36306 | 4 |
| 57 | Jetting Nozzel | JR-3032-NE | 1 |
| 58 | Cast Jetting Tee | JR-3039 | 1 |
| 59 | 1 1/2" NPT Pipe Plug | 018-318-90252-5 | 1 |
| 60 | Cast Venturi Tube | JR-3038 | 1 |
| 61 | 1/2" x 2 1/2" Bolt | 076-13213 | 2 |
| | 1/2" FW | 076-33012 | 2 |
| | 1/2" LW | 076-33626 | 2 |
| | 1/2" Nut | 076-36310 | 2 |
| 62 | Return Pipe | JR-3040 | 1 |
| 63 | 3" Flex Hose | JR-3019-E | 1 |
| 64 | Hopper with Table | JR-3033 | 1 |
| 65 | 3/4" Rubber Hose | SR-75074-H | 1 |
| 66 | 3/4" Clear Clamp | 025-HS-12 | 2 |
| 67 | 3/4" NPT x Hose Barb | 018-1661268225 | 1 |
| 68 | 3/4" NPT 90° Street Elbow | 018-310-01640-7 | 1 |
| 69 | 1 1/2" NPT x Close Nipple | 018-330-03260-8 | 2 |
| 70 | 1 1/2" Ball Valve | 022-423-00012-4 | 2 |
| 71 | 1 1/2" NPT 45° Street Elbow | 018-310-02800-6 | 1 |
| 72 | 1 1/2" Rubber Hose | JR-3019-A | 1 |
| 73 | 1 1/2" NPT 90° Street Elbow | 018-310-01700-9 | 1 |
| 74 | Wash Wand Adaptor | SR-75043 | 1 |
| 75 | 3/8" NPT x Close Nipple | 018-330-00980-4 | 1 |
| 76 | 3/8" Ball Valve | 022-423-00002-5 | 1 |
| 77 | Wash Wand | SR-75047 | 1 |
| 78 | | | |