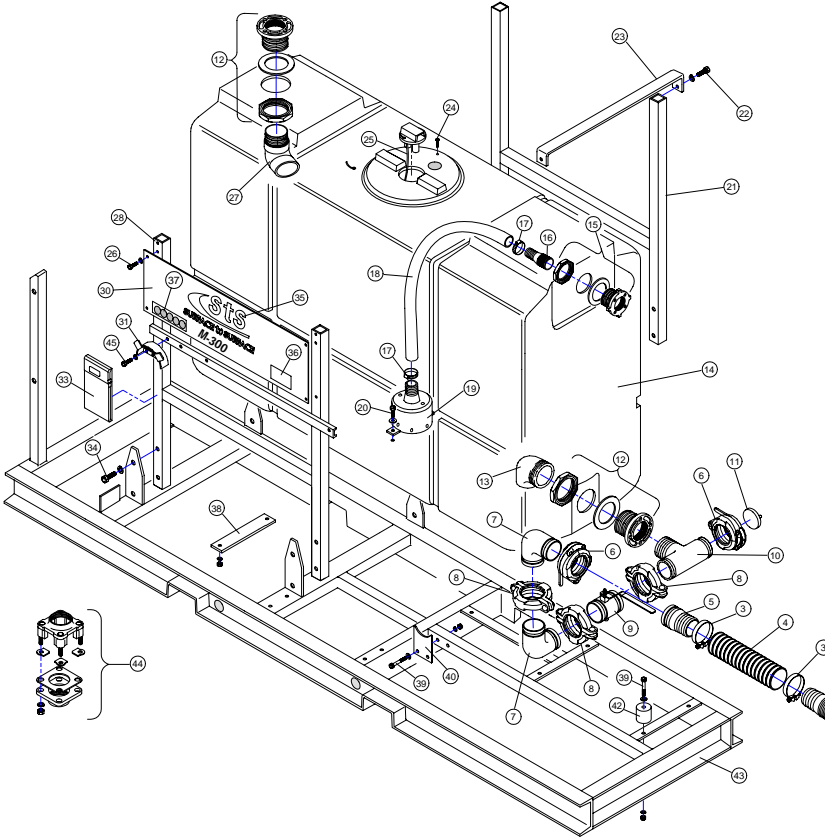
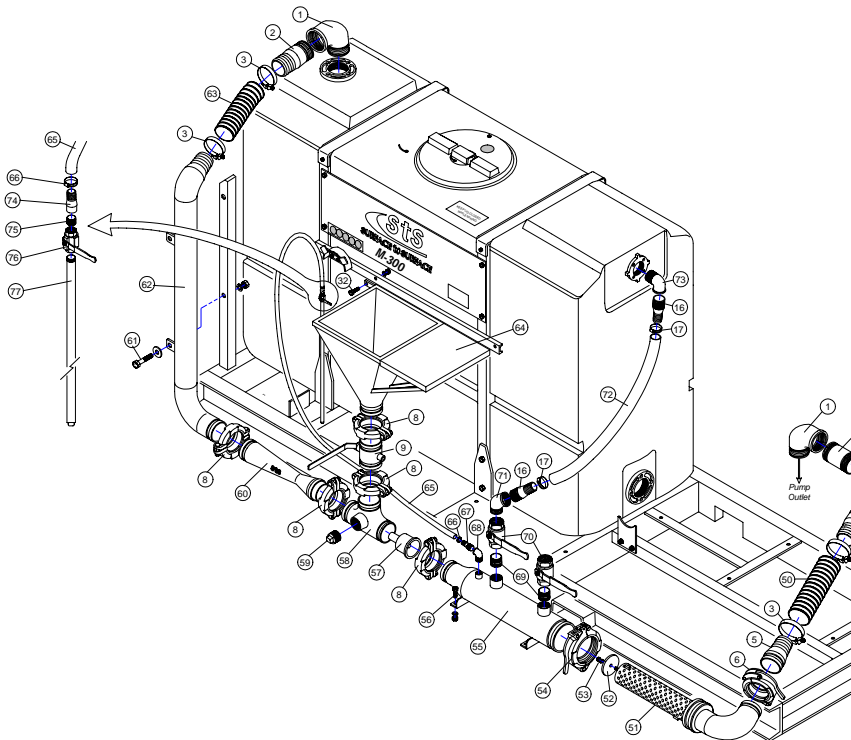


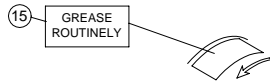
BU-300 ASSEMBLY PARTS LIST
(P/N #BU-300)



| REF # | DESCRIPTION | STS PART NUMBER | QTY REQ. |
|-------|------------------------------|------------------|----------|
| 1 | 3" NPT 90° Street Elbow | 018-310-01760-3 | 3 |
| 2 | 3" NPT X Hose Barb | 018-1661268258 | 3 |
| 3 | 3" Band Clamp | 025-M6-86 | 6 |
| 4 | 3" Flex Hose | JR-3019-C | 1 |
| 5 | 3" Groove x Hose Barb | 020-166-126828 | 2 |
| 6 | 3" Hinge-Loc Coupler | 020-390-20006-1 | 3 |
| 7 | 3" Grooved 90° Elbow | 020-390-01428-4 | 2 |
| 8 | 3" Groove-Loc Coupler | 020-390-00030-5 | 8 |
| 9 | 3" Grooved Butterfly Valve | 023-7005-01139 | 2 |
| 10 | 3" Grooved x NPT Suction Tee | 020-9902900175 | 1 |
| 11 | 3" Grooved End Cap | 020-390-03018-7 | 1 |
| 12 | 3" Tank Bung | 086-3" TANK BUNG | 2 |
| 13 | 90° PVC Suction Elbow | JR-3021-B | 1 |
| 14 | 300 gal. Tank | 086-MNP250NF | 1 |
| 15 | 1 1/2" Tank Bung | 086-1.5 BUNG | 1 |
| 16 | 1 1/2" NPT X Hose Barb | 018-1661268233 | 3 |
| 17 | 1 1/2" Gear Clamp | 025-HS 28 | 4 |
| 18 | 1 1/2" Rubber Hose | SR-75078-B | 1 |
| 19 | Jet Gun Casting | JR-3020 | 1 |
| 20 | 1/4" x 1 1/2" Bolt | 076-13009 | 2 |
| | 1/4" LW | 076-33618 | 2 |
| | 1/4" FW | 076-33004 | 2 |
| | 1/4" Nut | 076-36302 | 2 |
| 21 | Tank Up-rite (back side) | JR-3013 | 1 |
| 22 | 1/4" x 3/4" Bolt | 076-13003 | 4 |
| | 1/4" LW | 076-33618 | 4 |
| 23 | Tank Straps | JR-3017 | 2 |
| 24 | Security Screws | 076-113400032SS | 2 |
| 25 | 3/16" Poly Nylon Rope | 084-3/16 ROPE | 18" |
| 26 | 1/4" x 1/2" Bolt | 076-13001 | 4 |
| | 1/4" LW | 076-33618 | 4 |
| 27 | 45° PVC Return Elbow | JR-3021-A | 1 |
| 28 | Tank Up-rite (hopper side) | JR-3012 | 1 |
| 29 | | | |
| 30 | Sign Plate | JR-3047 | 1 |
| 31 | Wash Wand Holder | SR-75017 | 1 |
| 32 | 3/8" x 1 1/4" Bolt | 076-13107 | 2 |
| | 3/8" LW | 076-33622 | 2 |
| 33 | Operators Manual Holder | 084-9000-07 | 1 |
| | 3/16" Rivet | 076-41228 | 2 |
| 34 | 1/2" x 1" Bolt | 076-13205 | 8 |
| | 1/2" LW | 076-33626 | 8 |
| 35 | Decal Set | 070-BU-300SET | 1 |
| 36 | Serial Number Plate | 071-ST5-001-300 | 1 |
| 37 | Safety Decals | 070-BU HCS KIT | 1 |
| 38 | Jet Gun Mounting Bar | SR-75049 | 1 |
| 39 | 3/8" x 3" Bolt | 076-13115 | 6 |
| | 3/8" FW | 076-33038 | 6 |
| | 3/8" LW | 076-33622 | 6 |
| | 3/8" Nut | 076-36306 | 6 |
| 40 | Pipe Support | JR-3011 | 1 |
| 41 | | | |
| 42 | Engine Mount Spacers | SR-75016 | 4 |
| 43 | Base Frame | JR-301 | 1 |
| 44 | 2" Bottom Drain Bung | 086-BF220BD | 1 |
| 45 | 5/16" x 1" Bolt | 076-13055 | 2 |
| | 5/16" LW | 076-33620 | 2 |

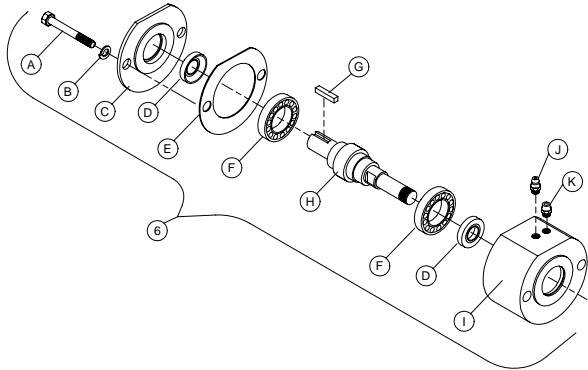


| | | | |
|----|-------------------------------|-----------------|---|
| 47 | 3" NPT x 5" Nipple | 018-330-04620-2 | 1 |
| 48 | 3" NPT 90° Elbow | 018-310-00220-9 | 1 |
| 49 | | | |
| 50 | 3" Flex Hose | JR-3019-D | 1 |
| 51 | Filter Shear Carriage | JR-3028 | 1 |
| 52 | Filter Shear Carriage End Cap | JR-3028-3 | 1 |
| 53 | 5/16" NC Nut | 076-36304 | 1 |
| | 5/16" LW | 076-33620 | 1 |
| 54 | 5" Hinge-Loc Coupler | 020-390-20012-9 | 1 |
| 55 | Filter Shear Housing | JR-3030 | 1 |
| 56 | 3/8" x 1 1/4" Bolt | 076-13107 | 4 |
| | 3/8" LW | 076-33622 | 4 |
| | 3/8" Nut | 076-36306 | 4 |
| 57 | Jetting Nozzel | JR-3032-NE | 1 |
| 58 | Cast Jetting Tee | JR-3039 | 1 |
| 59 | 1 1/2" NPT Pipe Plug | 018-318-90252-5 | 1 |
| 60 | Cast Venturi Tube | JR-3038 | 1 |
| 61 | 1/2" x 2 1/2" Bolt | 076-13213 | 2 |
| | 1/2" FW | 076-33012 | 2 |
| | 1/2" LW | 076-33626 | 2 |
| | 1/2" Nut | 076-36310 | 2 |
| 62 | Return Pipe | JR-3040 | 1 |
| 63 | 3" Flex Hose | JR-3019-E | 1 |
| 64 | Hopper with Table | JR-3033 | 1 |
| 65 | 3/4" Rubber Hose | SR-75074-H | 1 |
| 66 | 3/4" Gear Clamp | 025-HS-12 | 2 |
| 67 | 3/4" NPT x Hose Barb | 018-1661268225 | 1 |
| 68 | 3/4" NPT 90° Street Elbow | 018-310-01640-7 | 1 |
| 69 | 1 1/2" NPT x Close Nipple | 018-330-03260-8 | 2 |
| 70 | 1 1/2" Ball Valve | 022-423-00012-4 | 2 |
| 71 | 1 1/2" NPT 45° Street Elbow | 018-310-02800-6 | 1 |
| 72 | 1 1/2" Rubber Hose | JR-3019-A | 1 |
| 73 | 1 1/2" NPT 90° Street Elbow | 018-310-01700-9 | 1 |
| 74 | Wash Wand Adaptor | SR-75043 | 1 |
| 75 | 3/8" NPT x Close Nipple | 018-330-00980-4 | 1 |
| 76 | 3/8" Ball Valve | 022-423-00002-5 | 1 |
| 77 | Wash Wand | SR-75047 | 1 |
| 78 | | | |
| | Combined Parts (7) (8) | 018-06 | 1 |
| | Combined Parts (1) (2) | 018-20 | 2 |
| | Combined Parts (3) (4) (2) | 018-21 | 1 |
| | Combined Parts (3) (4) | 018-22 | 1 |
| | Combined Parts (7) (8) | 018-23 | 1 |
| | Bolt Board | 075-#7 BOLT KIT | 1 |



PU-E3 ASSEMBLY PARTS LIST
(P/N #PU-E3)

| REF # | DESCRIPTION | STS PART NUMBER | QTY REQ. |
|-------|-----------------------------|------------------|----------|
| 1 | 10 HP, 3600 rpm, 360/460 V | 034-10HP MOTOR | 1 |
| 2 | 3/8" x 2" Bolt | 076-13111 | 8 |
| | 3/8" F/W | 076-33006 | 8 |
| | 3/8" L/W | 076-33622 | 8 |
| | 3/8" Nut | 076-36306 | 8 |
| 3 | Motor / Pump Coupler Hub | 036-L100 1 3/8 | 2 |
| 4 | Motor / Pump Coupler Insert | 036-L099/100 | 1 |
| 5 | 3/8" x 4" Bolt | 076-13113 | 2 |
| | 3/8" L/W | 076-33622 | 2 |
| 6 | Bearing Block | M-300E011-B | 1 |
| 7 | Guard | M-300E012 | 1 |
| 8 | 1/4" x 1" Bolt | 076-13003 | 4 |
| | 1/4" L/W | 076-33618 | 4 |
| 9 | Bearing Block Mount | HTSP3-04 | 1 |
| 10 | Monarch 3" Trash Pump | 060-611111 | 1 |
| 11 | Motor / Pump Mounting Base | M-300E006 | 1 |
| 12 | 3/8" x 3" Bolt | 076-13115 | 2 |
| | 3/8" F/W | 076-33010 | 2 |
| | 3/8" L/W | 076-33622 | 2 |
| | 3/8" Nut | 076-36306 | 2 |
| 13 | Motor Mount Spacer | SS-75016 | 2 |
| 14 | 3/8" Beveled Washer Ml | 076-33332 | 2 |
| 15 | " GREASE ROUTINELY " Decal | 070-STS-M3-021-A | 1 |
| 16 | Motor Shim S/S | 034-OA SHIM PACK | 4 |



P/N #M-300E011-B
BEARING BLOCK ASSEMBLY PARTS LIST

| REF # | DESCRIPTION | PART NUMBER | QTY REQ. |
|-------|-----------------------|-----------------|----------|
| A | 3/8" x 4" Bolt | 076-13113 | 2 |
| B | 3/8" L/W | 076-33622 | 2 |
| C | Cover Plate | M-300E014-R | 1 |
| D | Shaft Seal | 036-BAB-45-62-7 | 2 |
| E | Gasket | 036-200-06R | 1 |
| F | Bearing | 036-6010/C3 | 2 |
| G | 5/16" Key Stock | 036-47314 | 1 1/8" |
| H | Machined Shaft | M-300E009 | 1 |
| I | Bearing Block Housing | 036-300-R | 1 |
| J | 1/8" Grease Fitting | 036-60102 | 1 |
| K | 1/8" Grease Relief | 036-1093K1 | 1 |

TSP-3 ASSEMBLY PARTS LIST
(P/N #060-611111)

| REF # | DESCRIPTION | STS PART NUMBER | QTY REQ. |
|-------|-------------------------------------|-----------------|----------|
| 1 | Rubber Flinger | 060-191270 | 1 |
| 2 | 3/8" x 1 1/2" NC Stud | 060-164630 | 4 |
| | 3/8" L/W | 076-33622 | 4 |
| | 3/8" Nut | 076-36306 | 4 |
| 3 | 3/4" NPT Pipe Plug | 018-318-90160-0 | 1 |
| 4 | Pump Rear Casting | 060-465093 | 1 |
| 5 | 1/2" x 1 3/4" NC Stud | 060-165240 | 4 |
| | 1/2" L/W | 076-33626 | 4 |
| | 1/2" NC Nut | 076-36310 | 4 |
| 6 | 3" Mechanical Seal Kit | 060-240395-KIT | 1 |
| *** 7 | Shim Washer Set (1" ID x 1 1/2" OD) | 060-175534-SET | 1 |
| 8 | 3" Impeller | 060-465002 | 1 |
| 9 | 3/8" x 2" NC S/S Stud | 060-173000 | 2 |
| | 3/8" S/S L/W | 060-178500 | 2 |
| | 3/8" S/S NC Nut | 060-128630 | 2 |
| 10 | Volute | 060-465005 | 1 |
| 11 | Front Casing O-Ring #454 D70 | 060-197989 | 1 |
| 12 | Volute Square O-Ring (white) | 060-198696 | 1 |
| 13 | Pump Front Casting | 060-465032 | 1 |
| 14 | 1/2" Internal ToothLock Washer | 060-33715 | 4 |
| 15 | Large Tee Nut | 060-465046 | 4 |
| 16 | Rubber Check Valve | 060-190716 | 1 |
| 17 | Check Valve Cover | 060-465042 | 1 |
| 18 | Check valve Weight | 060-438486 | 1 |
| 19 | 5/16" NC x 1" Bolt | 076-13055 | 1 |
| | 5/16" F/W | 076-33006 | 1 |
| | 5/16" Nut | 076-36304 | 1 |
| 20 | 3/8" NC x 3/4" Bolt | 076-13103 | 4 |

*** Indicates parts that are NOT shipped with pump assembly.

