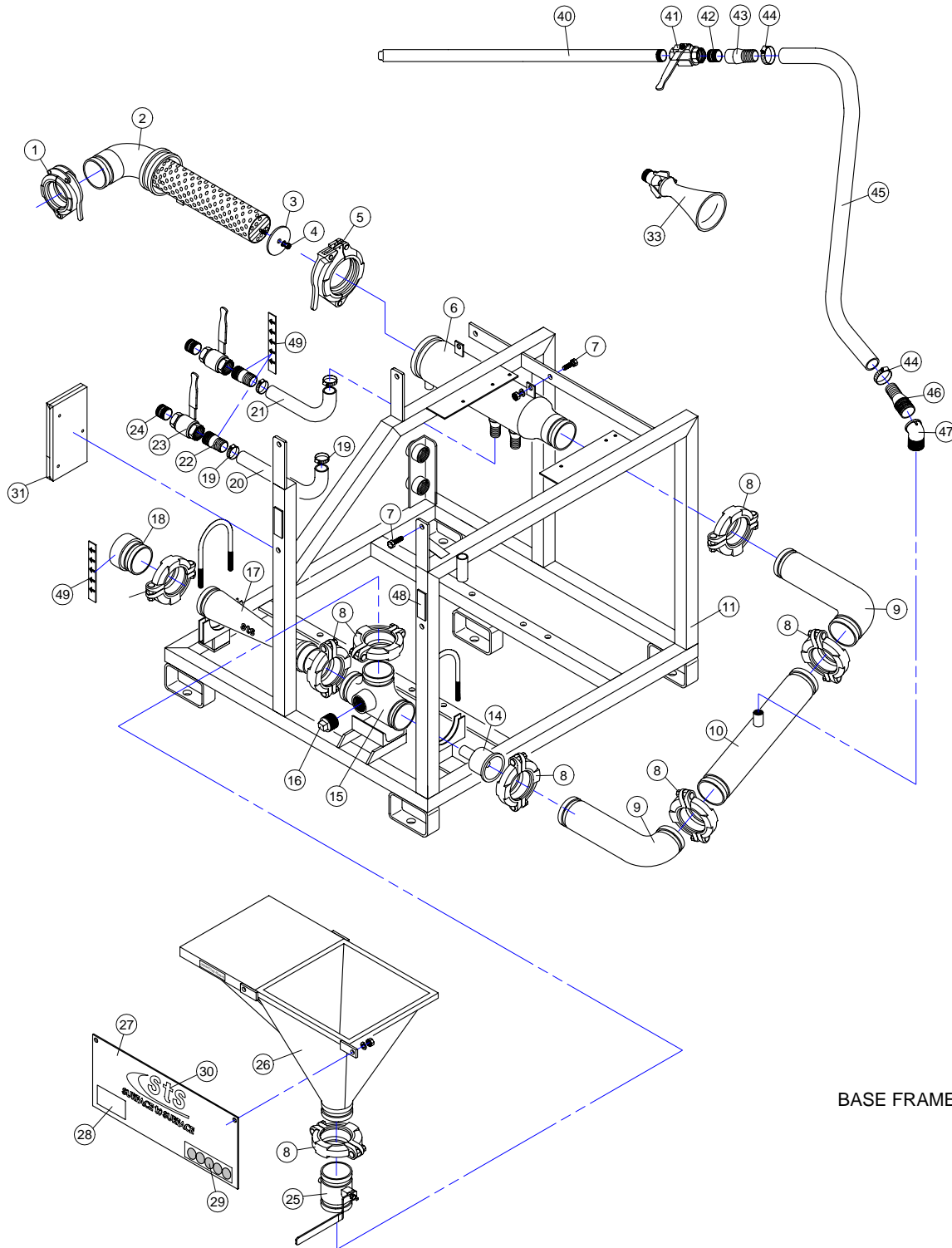


BU-M3 ASSEMBLY PARTS LIST

(P/N #BU-M3)

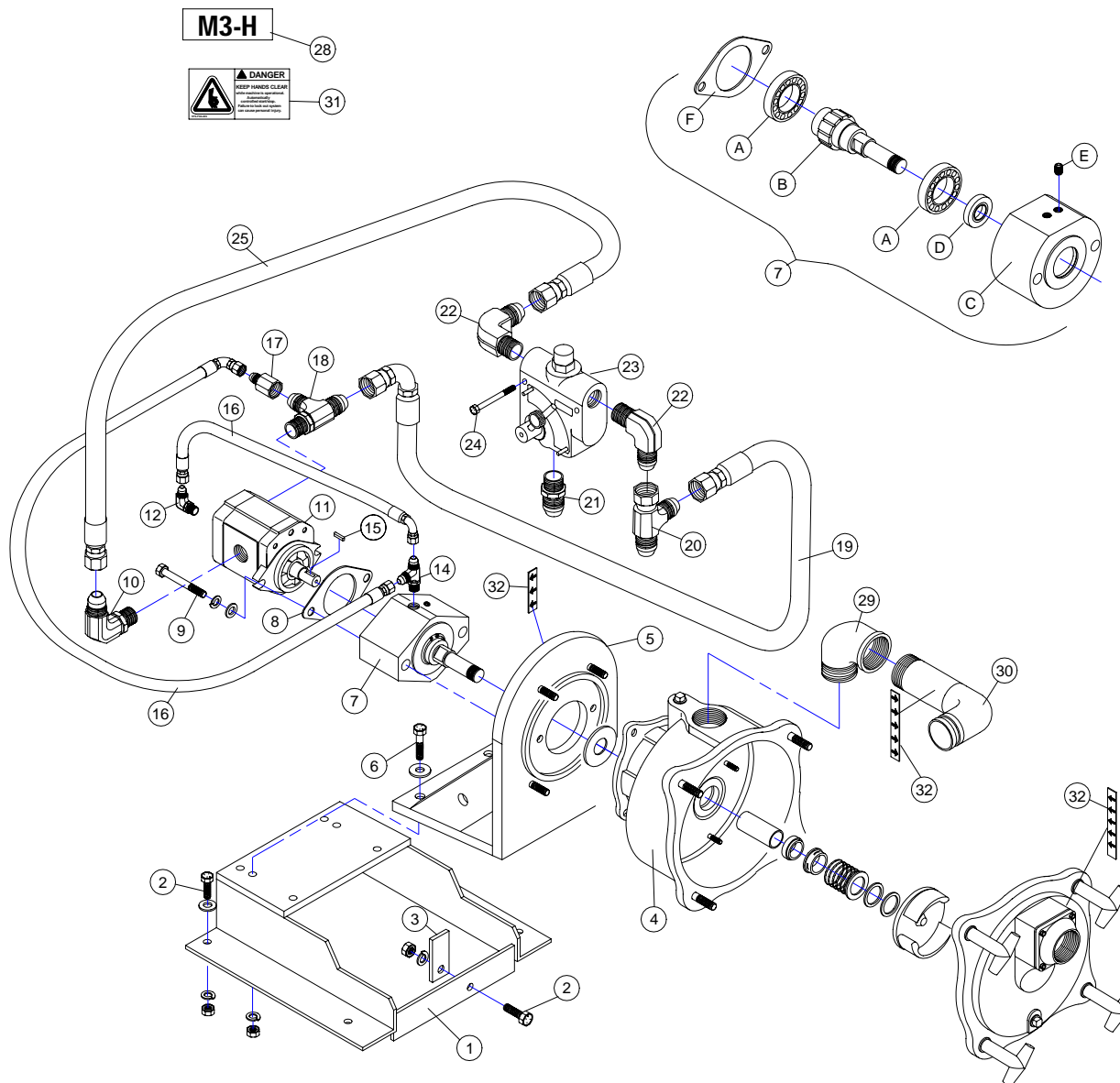
REF #	DESCRIPTION	STS PART NUMBER	QTY REQ.
1	3" Hinge-Loc Coupler	020-390-20006-1	1
2	Filter Shear Carriage	M3-010	1
3	Filter Shear Carriage End Cap	JR-3028-3	1
4	5/16" NC Nut	076-36304	1
	5/16" L/W	076-33620	1
5	5" Hinge-Loc Coupler	020-390-20012-9	1
6	Filter Shear Housing	M3-09	1
7	3/8" x 1 1/4" Bolt	076-13107	5
	3/8" L/W	076-33622	5
	3/8" F/W	076-33008	5
	3/8" Nut	076-36306	5
8	3" Groove-Loc Coupler	020-390-00030-5	8
9	3" End Pipe Elbow	M3-025	2
10	3" End Pipe	M3-016	1
11	Skid Base Frame	M3-001	1
12			
13			
14	Jetting Nozzel	JR-3032-NE	1
15	Cast Jetting Tee	JR-3039	1
16	1 1/2" NPT Pipe Plug	018-318-90492-7	1
17	Cast Venturi Tube	JR-3038	1
18	3" NPT x Grooved Adaptor	PDM3-172	1
19	1 1/2" Gear Clamp	025-HS 28	4
20	1 1/2" Rubber Hose	M3-015-B	1
21	1 1/2" Rubber Hose	M3-015-A	1
22	1 1/2" NPT X Hose Barb	018-1661268233	2
23	1 1/2" Ball Valve	022-423-00012-4	2
24	1 1/2" NPT x Close Nipple	018-330-01900-1	2
25	3" Grooved Butterfly Valve	023-7005-01139	1
26	Hopper with Table	JR-3033	1
27	Sign Plate	M3-017	1
28	Serial Number Plate	071-ST5-001-BNK	1
29	Safty Decals	070-BU HCS KIT	1
30	Decal Set	070-BU-M3	1
31	Operators Manual Holder	084-9000-07	1
	3/16" Rivet	076-41228	2
32			
33	Mixing Nozzel (Jet Guns)	086-75559	4
40	Wash Wand	SR-75047	1
41	3/8" Ball Valve	022-423-00002-5	1
42	3/8" NPT x Close Nipple	018-330-00980-4	1
43	Wash Wand Adaptor	SR-75043	1
44	3/4" Gear Clamp	025-HS-12	2
45	3/4" Rubber Hose	025-RBR-28405	53"
46	3/4" NPT x Hose Barb	018-1661268225	1
47	3/4" NPT Street 45° Elbow MI	018-310-02740-4	1
48	Truck Cap Weather Strip	084-1/8" WSTRIP	6"
49	Directional tape	STS-PIPE MARKER 3/4"	46"



BASE FRAME SHOWN WITHOUT WELDED ON LIFT BALE FOR CLARITY

PU-M3H ASSEMBLY PARTS LIST

(P/N #PU-M3H)



REF #	DESCRIPTION	STS PART NUMBER	QTY REQ.
1	Motor / Pump Mounting Base	SR-75013	1
2	3/8" x 1 1/4" Bolt	076-13107	5
	3/8" L/W	076-33622	5
	3/8" Nut	076-36306	5
3	Pump Support Tab	SR-15011-B	1
4****	Monarch 3" Trash Pump	060-611111	1
5	Bearing Block Mount	HTSP3-04	1
6	3/8" x 2" Bolt	076-13111	4
	3/8" F/W	076-33008	4
	3/8" L/W	076-33622	4
	3/8" Nut	076-36306	4
7	Bearing Block / Motor Gasket	HTSP3-02	1
8	Bearing Block / Motor Gasket	036-200-06	1
9	3/8" x 4 1/4" SHCS	076-23320	2
	3/8" F/W	076-33008	2
	3/8" L/W	076-33622	2
10	5/8" ORB x 5/8" JIC 90° Elbow	029-2503-10-10	1
11	Hydraulic Motor (SNM2/11)	039-B1212004300	1
12	3/8" ORB x 3/8" JIC 90° Elbow	029-2503-6-6	1
13			
14	#6 JIC x 3/8" NPT TEE	029-013-T-6-6	1
15	Key (c/w Hyd. Motor)	----	1
16	3/8" Hyd. Hose	M-750HD-H03	2
17	5/8" x 3/8" JIC Reducing Adaptor	029-0603-10-6	1
	5/8" JIC Sleeve Nut	029-06B-10	1
18	5/8" JIC x 5/8" ORB TEE	029-053T-10-10	1
19	5/8" Hyd. Hose	M3-024-B	1
20	5/8" JIC Swivel Nut Run TEE	029-063T-10-10	1
21	3/4" NPT x 5/8" JIC Male Adaptor	029-0103-12-10	1
22	3/4" NPT x 5/8" JIC 90° Elbow	029-2103-12-10	2
23	Hydraulic Flow Control	046-SDCF755M	1
24	1/4" x 2 1/2" Bolt	076-13013	2
	1/4" L/W	076-33618	2
	1/4" Nut	076-36302	2
25	5/8" Hyd. Hose	M3-024-A	1
26			
27	3/8" x 1" Bolt	076-13105	1
	3/8" L/W	076-33622	1
28	"M3-H" Decal	070-M3-020-H	1
29	3" NPT 90° Street Elbow	018-310-01760-3	1
30	3" Discharge Pipe	M3-012	1
31	"Danger " Decal	STS-PDA-009	1
32	"Directional " Decal	STS-PIPEMARKER3/4	20"
41			
A	Bearing	036-6010/C3	2
B	Machined Shaft	036-300-J3A	1
C	Hydraulic Shaft Seal	036-BAB-45-62-7	1
D	Bearing Block Housing	036-300-R	1
E	1/8" NPT Pipe Plug	018-318-90352-3	1
F	Pump Gasket	036-200-06	1

**** See TSP-3 Pump for parts List

Surface to Surface Inc.®

DWR. NUM. PU-M3H	DATE. 03 / 27 / 07 REV. 06 / 02 / 08
----------------------------	-----------------------------------------

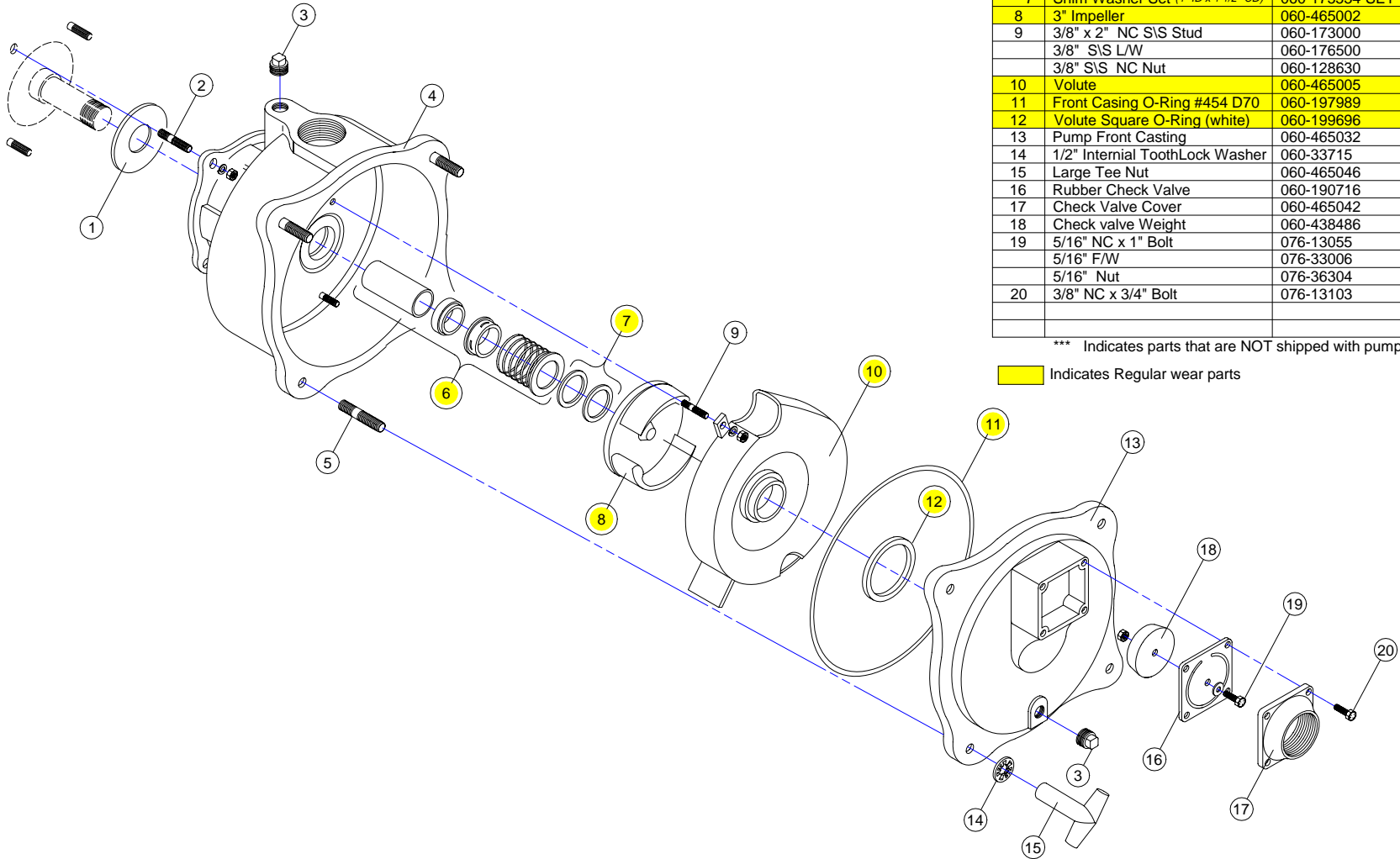
TSP-3 ASSEMBLY PARTS LIST

(P/N #060-611111)

REF #	DESCRIPTION	STS PART NUMBER	QTY REQ.
1	Rubber Flinger	060-191270	1
2	3/8" x 1 1/2" NC Stud	060-164630	4
	3/8" L/W	076-33622	4
	3/8" Nut	076-36306	4
3	3/4" NPT Pipe Plug	018-318-90160-0	1
4	Pump Rear Casting	060-465093	1
5	1/2" x 1 3/4" NC Stud	060-165240	4
	1/2" L/W	076-33626	4
	1/2" NC Nut	076-36310	4
6	3" Mechanical Seal Kit	060-240395-KIT	1
*** 7	Shim Washer Set (1" ID x 1 1/2" OD)	060-175534-SET	1
8	3" Impeller	060-465002	1
9	3/8" x 2" NC SIS Stud	060-173000	2
	3/8" SIS L/W	060-176500	2
	3/8" SIS NC Nut	060-128630	2
10	Volute	060-465005	1
11	Front Casing O-Ring #454 D70	060-197989	1
12	Volute Square O-Ring (white)	060-199696	1
13	Pump Front Casting	060-465032	1
14	1/2" Internal ToothLock Washer	060-33715	4
15	Large Tee Nut	060-465046	4
16	Rubber Check Valve	060-190716	1
17	Check Valve Cover	060-465042	1
18	Check valve Weight	060-438486	1
19	5/16" NC x 1" Bolt	076-13055	1
	5/16" F/W	076-33006	1
	5/16" Nut	076-36304	1
20	3/8" NC x 3/4" Bolt	076-13103	4

*** Indicates parts that are NOT shipped with pump assembly.

Indicates Regular wear parts



TSP-3