

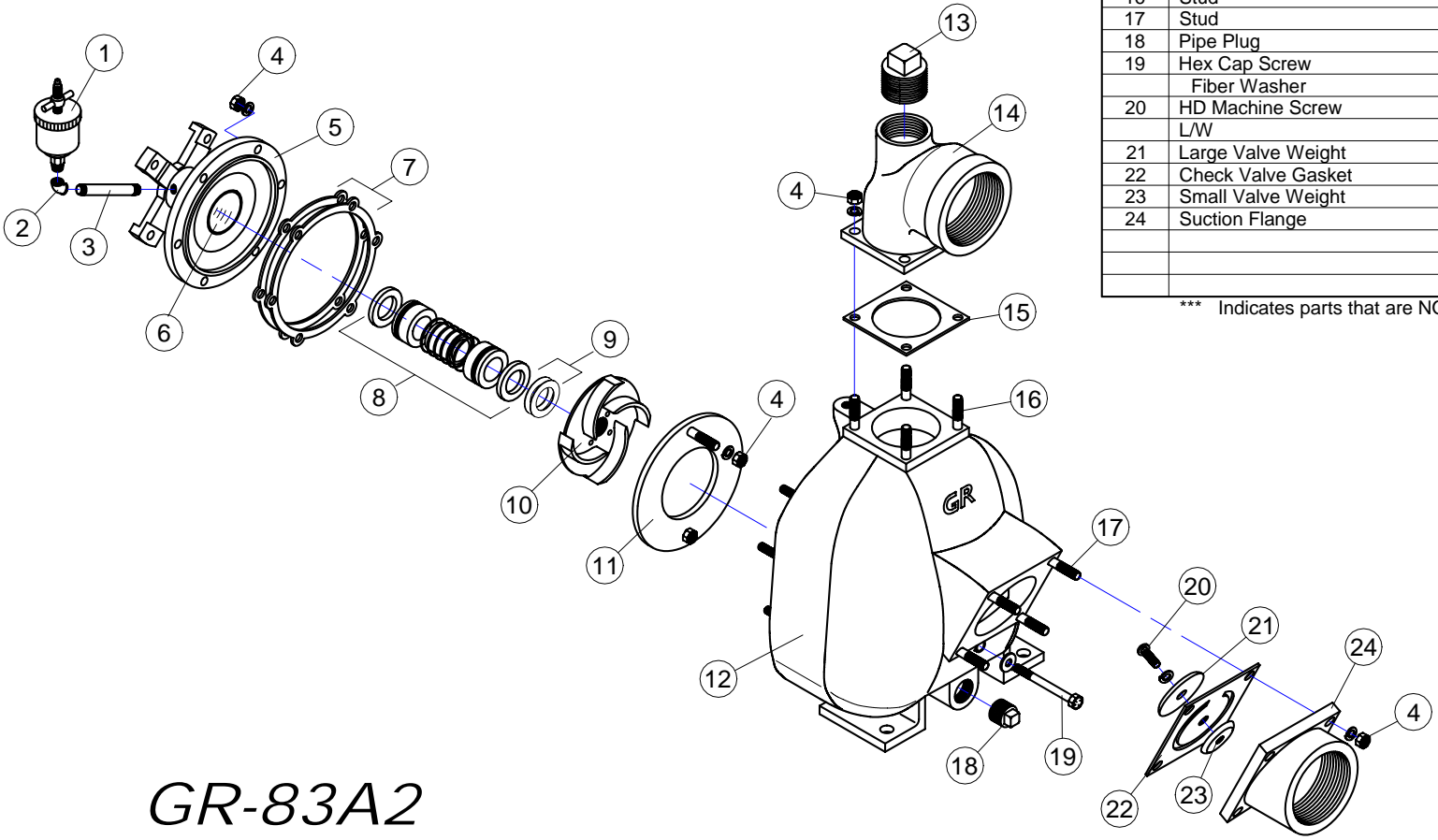
**M-300D001 (GR) ASSEMBLY PARTS LIST**  
 (#M-300D001(GR))

REF #	DESCRIPTION	STS P/N	QTY REQ.
1	Gorman-Rupp 3" Pump	060-GR83A2-KIT	1
2	Pump Leg Spacers	M-300D-02-A	2
3	Yanmar L100V Engine	033-L100V6DA1F1AA	1
4	3/8" x 2" Bolt	076-13111	2
	3/8" F/W	076-33008	2
	3/8" L/W	076-33622	2
	3/8" Nut	076-36306	2
5	Engine / Pump Mount Base	M-300D-01	1
6	3/8" x 2" Bolt	076-13111	4
	3/8" F/W	076-33008	4
	3/8" L/W	076-33622	4
	3/8" Nut	076-36306	4
7	Motor Shim S/S	034-QA SHIM PACK	as req.
8	Exhaust Deflector	114699-13800	1
9	8mm x 20mm Bolt	076-38615	2
	8mm L/W	076-40383	2
10	Panel Mount	M-300D-09	1
11	1/4" x 1/2" Bolt	076-13001	2
	1/4" L/W	076-33618	2
	1/4" Nut	076-36302	2
12	Key Switch Panel	114351-77500	1
13	8mm x 45mm Bolt	076-38620	4
	8mm L/W	076-40383	4
	10w30 engine motor oil	074-1030DURON	1.6L

*L100V ENGINE*

**GR-83A2 ASSEMBLY PARTS LIST**  
( P/N #060-GR83A2-KIT )

REF #	DESCRIPTION	STS PART NUMBER	QTY REQ.
1	Grease Cup	060-S36	1
2	1/4" 45° Elbow	060-AG04-11999	1
3	1/4" NPT x3" Nipple	060-T0412-15079	1
4	3/8" Nut	060-D0615991	7
	3/8" L/W	076-33622	7
5	Seal Plate Assembly	060-427A10010	1
6	Brass Seal Liner	060-8314080	1
7	Casing Gasket Set	060-229G18000	1
8	Grease Seal assembly	060-GS1000	1
9	***Shim Pack	060-2X17090	1
10	Impeller	060-GR6950A-M	1
11	Wear Plate	060-695115990	1
12	Pump Casing	060-6882A10010	1
13	Pipe Plug	060-48271-067	1
14	Discharge Elbow	060-54310010	1
15	Discharge Elbow Gasket	060-543G18000	1
16	Stud	060-C060715991	4
17	Stud	060-C060615991	4
18	Pipe Plug	060-P1215079	1
19	Hex Cap Screw	060-B061815991	1
	Fiber Washer	060-KF0618040	1
20	HD Machine Screw	060-X040317090	1
	L/W	060-J0417090	1
21	Large Valve Weight	060-136410010	1
22	Check Valve Gasket	060-544G19070	1
23	Small Valve Weight	060-1810010	1
24	Suction Flange	060-294610010	1



**GR-83A2**

\*\*\* Indicates parts that are NOT shipped with pump assembly.