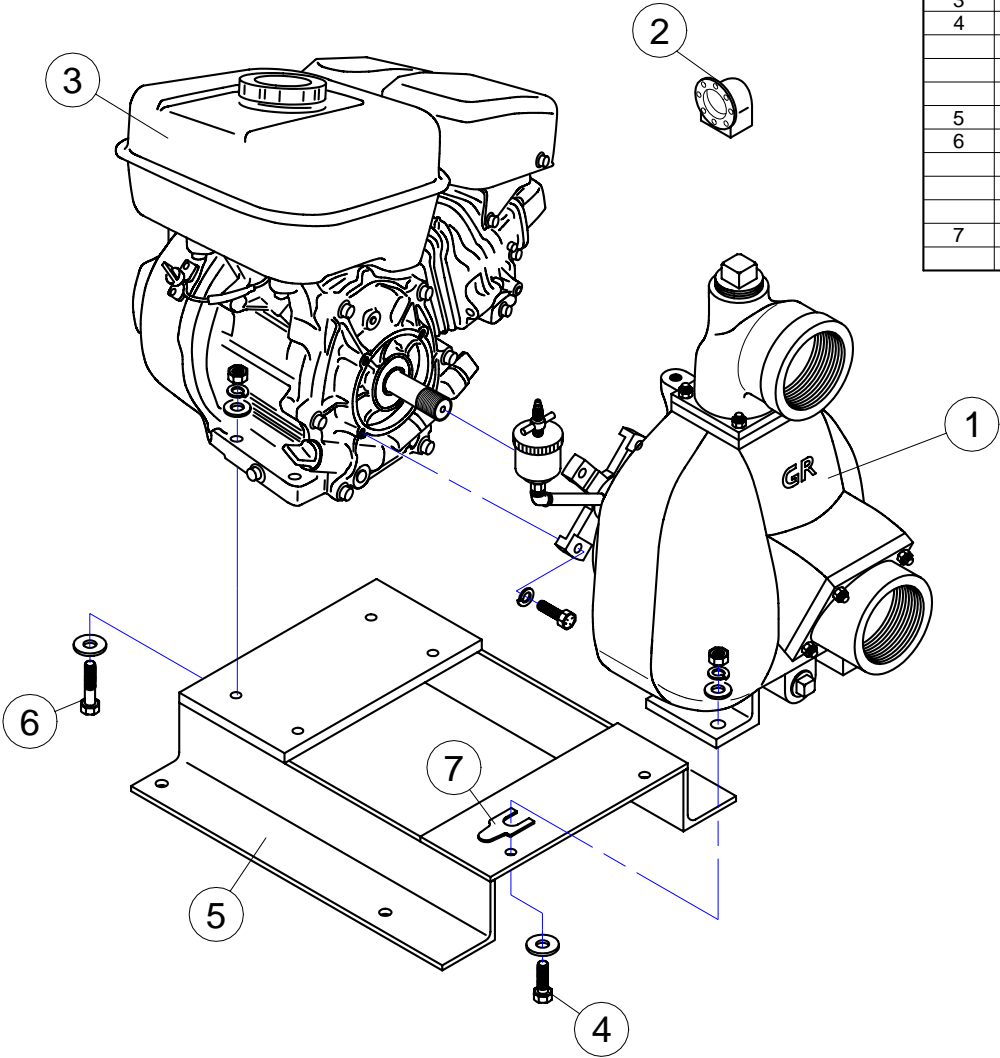


**PU-3G ASSEMBLY PARTS LIST**

(#PU-3G)

REF #	DESCRIPTION	STS P/N	QTY REQ.
1	Gorman-Rupp 3" Pump	060-GR83A2-KIT	1
2	Exhaust Deflector	033-277-37001-H1	1
3	EX 27 Robin Gasoline Engine	033-EX270D51011	1
4	3/8" x 1 1/4" Bolt	076-13107	2
	3/8" F/W	076-33008	4
	3/8" L/W	076-33622	2
	3/8" Nut	076-36306	2
5	Engine / Pump Mount Base	060-GR83A2-01	1
6	3/8" x 2" Bolt	076-13111	4
	3/8" F/W	076-33008	4
	3/8" L/W	076-33622	4
	3/8" Nut	076-36306	4
7	Motor Shim S/S	034-QA SHIM PACK	1



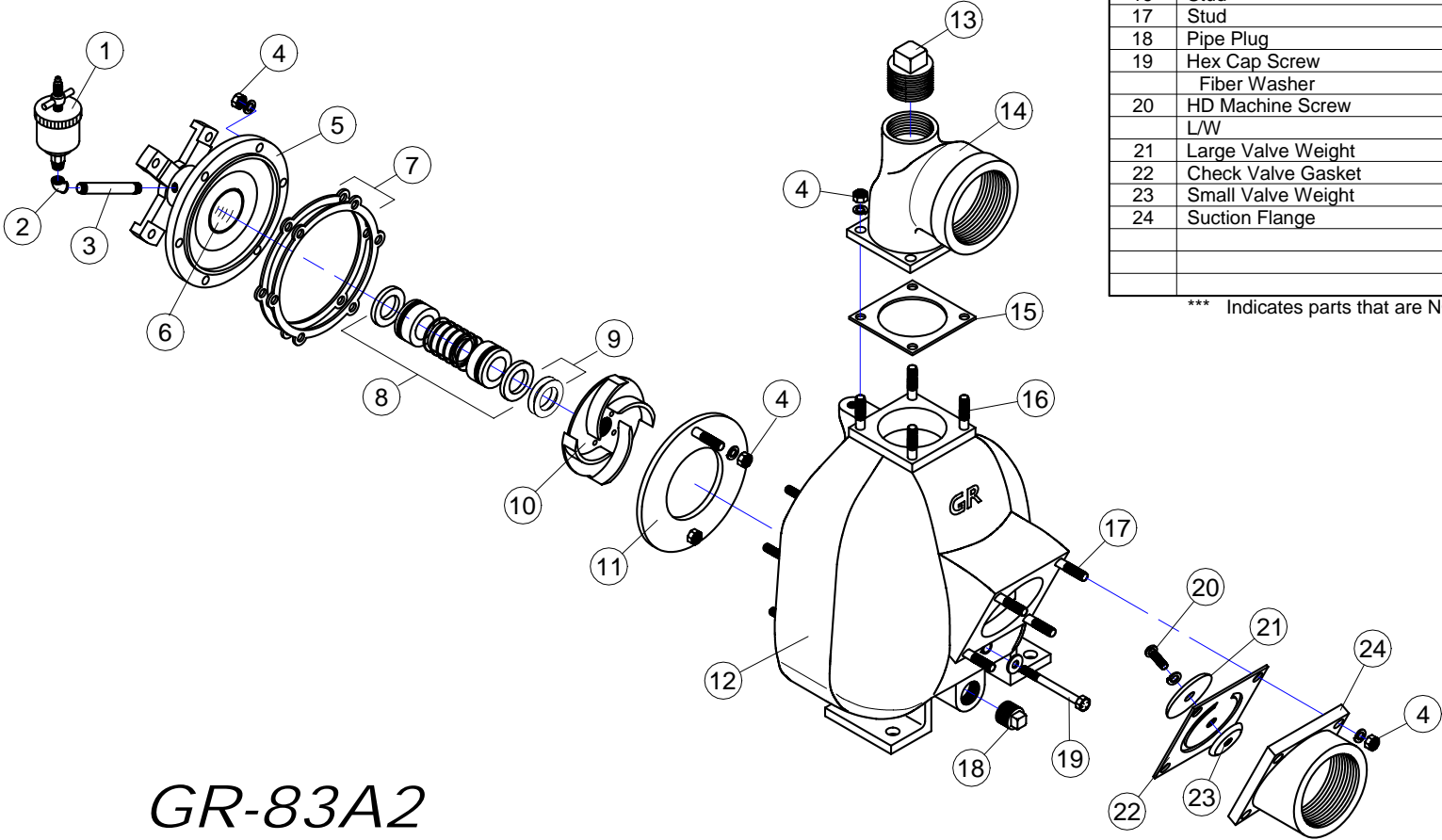
*EX-27 ENGINE*

# GR-83A2 ASSEMBLY PARTS LIST

( P/N #060-GR83A2-KIT )

REF #	DESCRIPTION	STS PART NUMBER	QTY REQ.
1	Grease Cup	060-S36	1
2	1/4" 45° Elbow	060-AG04-11999	1
3	1/4" NPT x3" Nipple	060-T0412-15079	1
4	3/8" Nut	060-D0615991	7
	3/8" L/W	076-33622	7
5	Seal Plate Assembly	060-427A10010	1
6	Brass Seal Liner	060-8314080	1
7	Casing Gasket Set	060-229G18000	1
8	Grease Seal assembly	060-GS1000	1
9	***Shim Pack	060-2X17090	1
10	Impeller	060-GR6950A-M	1
11	Wear Plate	060-695115990	1
12	Pump Casing	060-6882A10010	1
13	Pipe Plug	060-48271-067	1
14	Discharge Elbow	060-54310010	1
15	Discharge Elbow Gasket	060-543G18000	1
16	Stud	060-C060715991	4
17	Stud	060-C060615991	4
18	Pipe Plug	060-P1215079	1
19	Hex Cap Screw	060-B061815991	1
	Fiber Washer	060-KF0618040	1
20	HD Machine Screw	060-X040317090	1
	L/W	060-J0417090	1
21	Large Valve Weight	060-136410010	1
22	Check Valve Gasket	060-544G19070	1
23	Small Valve Weight	060-1810010	1
24	Suction Flange	060-294610010	1

\*\*\* Indicates parts that are NOT shipped with pump assembly.



GR-83A2