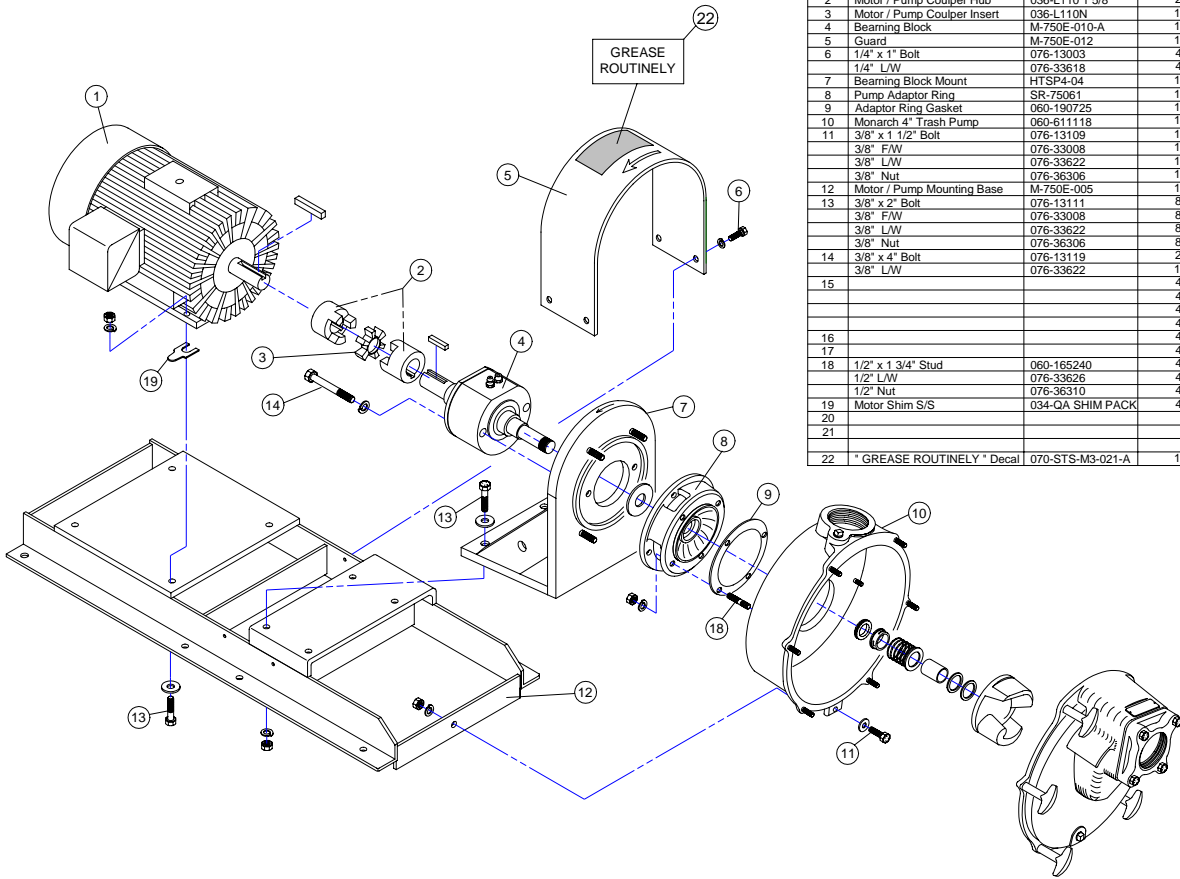


PU-E4 ASSEMBLY PARTS LIST
(P/N #PU-E4)

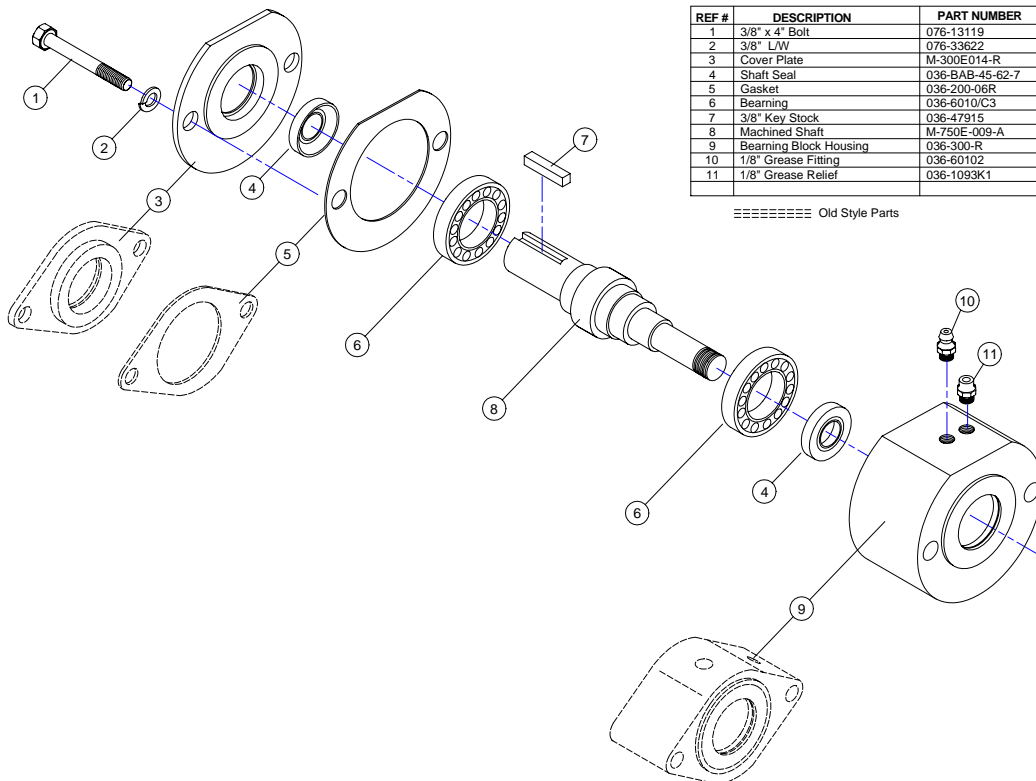
| REF # | DESCRIPTION | STS PART NUMBER | QTY REQ. |
|-------|-----------------------------|------------------|----------|
| 1 | 20 HP, 3520 rmp, 360/460 V | 034-20HP MOTOR | 1 |
| 2 | Motor / Pump Coupler Hub | 036-L110 1 5/8 | 2 |
| 3 | Motor / Pump Coupler Insert | 036-L110N | 1 |
| 4 | Bearing Block | M-750E-010-A | 1 |
| 5 | Guard | M-750E-012 | 1 |
| 6 | 1/4" x 1" Bolt | 076-13003 | 4 |
| | 1/4" L/W | 076-33618 | 4 |
| 7 | Bearing Block Mount | HTSP4-04 | 1 |
| 8 | Pump Adaptor Ring | SR-75061 | 1 |
| 9 | Adaptor Ring Gasket | 060-150725 | 1 |
| 10 | Monarch 4" Trash Pump | 060-61118 | 1 |
| 11 | 3/8" x 1 1/2" Bolt | 076-13109 | 1 |
| | 3/8" F/W | 076-33008 | 1 |
| | 3/8" L/W | 076-33622 | 1 |
| | 3/8" Nut | 076-36306 | 1 |
| 12 | Motor / Pump Mounting Base | M-750E-005 | 1 |
| 13 | 3/8" x 2" Bolt | 076-13111 | 8 |
| | 3/8" F/W | 076-33008 | 8 |
| | 3/8" L/W | 076-33622 | 8 |
| | 3/8" Nut | 076-36306 | 8 |
| 14 | 3/8" x 4" Bolt | 076-13119 | 2 |
| | 3/8" L/W | 076-33622 | 4 |
| 15 | | | 4 |
| | | | 4 |
| | | | 4 |
| 16 | | | 4 |
| 17 | | | 4 |
| 18 | 1/2" x 1 3/4" Stud | 060-165240 | 4 |
| | 1/2" L/W | 076-33626 | 4 |
| | 1/2" Nut | 076-36310 | 4 |
| 19 | Motor Shim S/S | 034-QA SHIM PACK | 4 |
| 20 | | | |
| 21 | | | |
| 22 | * GREASE ROUTINELY * Decal | 070-STS-M3-021-A | 1 |



P/N #M-750E-010-A
BEARING BLOCK ASSEMBLY PARTS LIST

| REF # | DESCRIPTION | PART NUMBER | QTY REQ. |
|-------|-----------------------|-----------------|----------|
| 1 | 3/8" x 4" Bolt | 076-13119 | 2 |
| 2 | 3/8" L/W | 076-33622 | 2 |
| 3 | Cover Plate | M-300E014-R | 1 |
| 4 | Shaft Seal | 036-BAB-45-62-7 | 2 |
| 5 | Gasket | 036-200-06R | 1 |
| 6 | Bearing | 036-6010/C3 | 2 |
| 7 | 3/8" Key Stock | 036-47915 | 2 3/8" |
| 8 | Machined Shaft | M-750E-009-A | 1 |
| 9 | Bearing Block Housing | 036-300-R | 1 |
| 10 | 1/8" Grease Fitting | 036-60102 | 1 |
| 11 | 1/8" Grease Relief | 036-1093K1 | 1 |

===== Old Style Parts



Complete unit P/N #M-750E-010-A

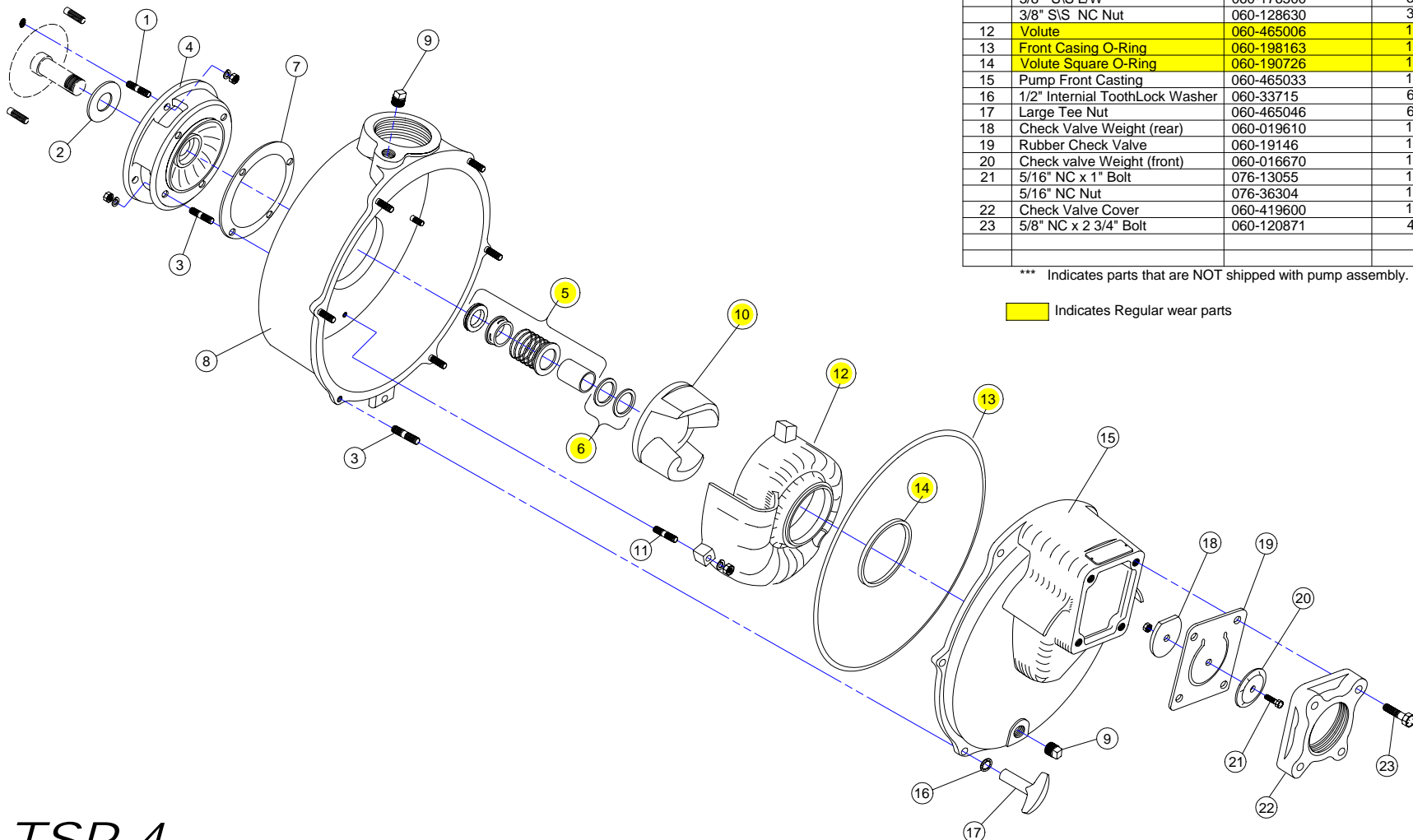
TSP-4 ASSEMBLY PARTS LIST

(P/N #060-611118)

| REF # | DESCRIPTION | STS PART NUMBER | QTY REQ. |
|-------|-------------------------------------|-----------------|----------|
| *** 1 | 7/16" x 1 3/4" NC Stud | 060-164940 | 4 |
| | 7/16" L/W | 076-33624 | 4 |
| | 7/16" NC Nut | 076-36308 | 4 |
| 2 | Rubber Flinger | 060-190849 | 1 |
| *** 3 | 1/2" x 1 3/4" NC Stud | 060-165240 | 10 |
| | 1/2" L/W | 076-33626 | 4 |
| | 1/2" NC Nut | 076-36310 | 4 |
| *** 4 | Engine/Pump Adaptor | SR-75061 | 1 |
| 5 | 4" Mechanical Seal Kit | 060-240396-KIT | 1 |
| *** 6 | Shim Washer Set (1" ID x 1 1/2" OD) | 060-175534-SET | 1 |
| *** 7 | Adaptor Gasket | 060-190725 | 1 |
| 8 | Pump Rear Casting | 060-465094 | 1 |
| 9 | 3/4" NPT Pipe Plug | 018-318-90160-0 | 1 |
| 10 | 4" Impeller | 060-465064 | 1 |
| 11 | 3/8" x 2" NC S/S Stud | 060-173000 | 3 |
| | 3/8" S/S L/W | 060-176500 | 3 |
| | 3/8" S/S NC Nut | 060-128630 | 3 |
| 12 | Volute | 060-465006 | 1 |
| 13 | Front Casing O-Ring | 060-198163 | 1 |
| 14 | Volute Square O-Ring | 060-190726 | 1 |
| 15 | Pump Front Casting | 060-465033 | 1 |
| 16 | 1/2" Internal ToothLock Washer | 060-33715 | 6 |
| 17 | Large Tee Nut | 060-465046 | 6 |
| 18 | Check Valve Weight (rear) | 060-019610 | 1 |
| 19 | Rubber Check Valve | 060-19146 | 1 |
| 20 | Check valve Weight (front) | 060-016670 | 1 |
| | 5/16" NC x 1" Bolt | 076-13055 | 1 |
| | 5/16" NC Nut | 076-36304 | 1 |
| 22 | Check Valve Cover | 060-419600 | 1 |
| 23 | 5/8" NC x 2 3/4" Bolt | 060-120871 | 4 |

*** Indicates parts that are NOT shipped with pump assembly.

Indicates Regular wear parts



TSP-4