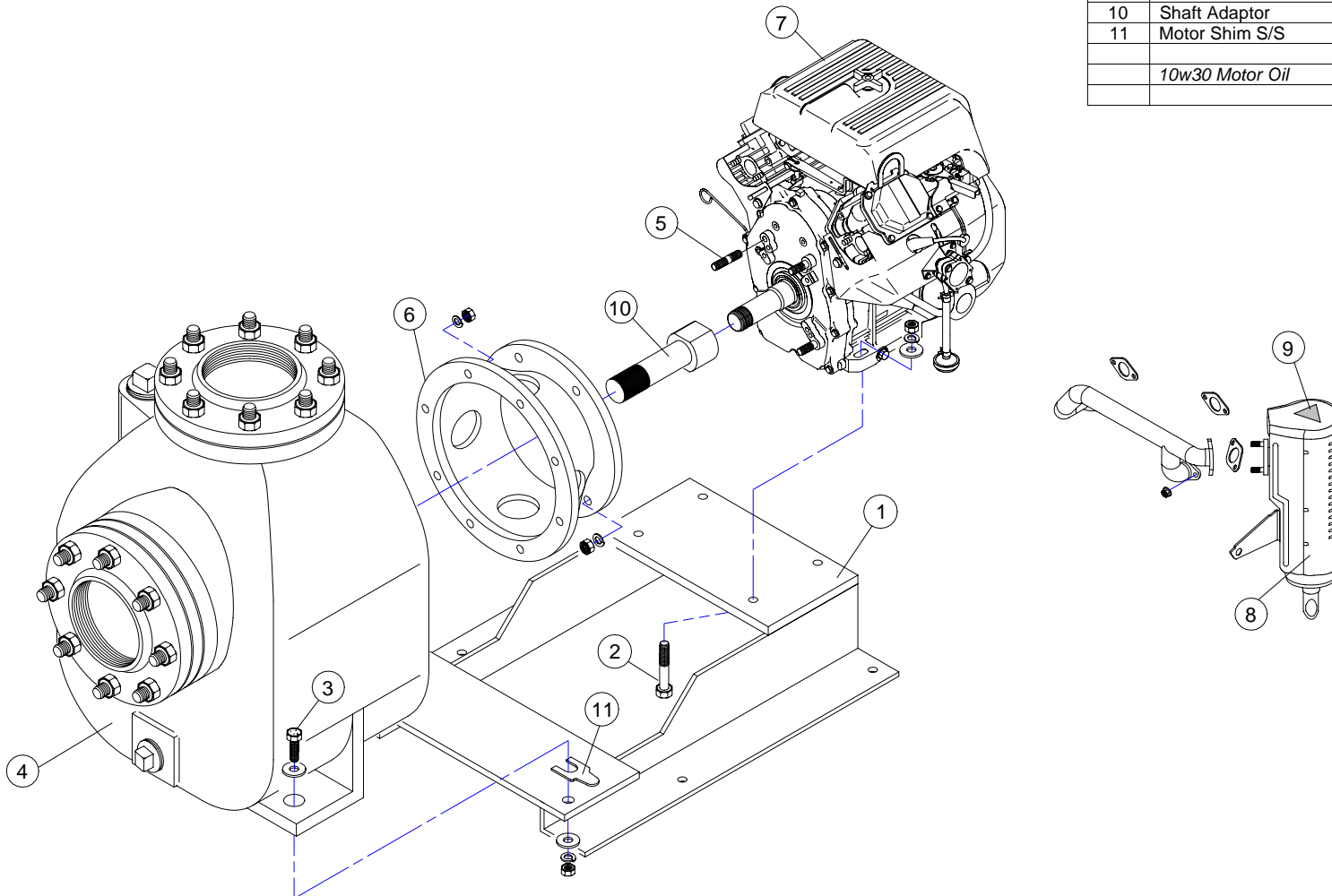


M-400G001(GR) ASSEMBLY PARTS LIST

(P/N #M-400G001(GR)

REF #	DESCRIPTION	STS PART NUMBER	QTY REQ.
1	Engine / Pump Mount Base	060-GR84B2-10	1
2	3/8" x 2" Bolt	076-13111	4
	3/8" F/W	076-33008	4
	3/8" L/W	076-33622	4
	3/8" Nut	076-36306	4
3	1/2" x 2" Bolt	076-13211	2
	1/2" L/W	076-33626	2
	1/2" F/W	076-33012	4
	1/2" Nut	076-36310	2
4	Gorman-Rupp 4" Pump	060-GR84B2-KIT	1
5	7/16" Stud	060-164940	4
6	Bell Housing	060-GR84B2-02	1
7	EH 63 Robin Gasoline Engine	033-EH65D	1
8	Muffler / Exhaust Kit (side mount)	033-92630004-M	1
9	"Hot Surface" Decal	070-16043-B AL	1
10	Shaft Adaptor	060-84B2-01	1
11	Motor Shim S/S	034-QA SHIM PACK	1
	10w30 Motor Oil	074-1030DURON	1.55 Litre

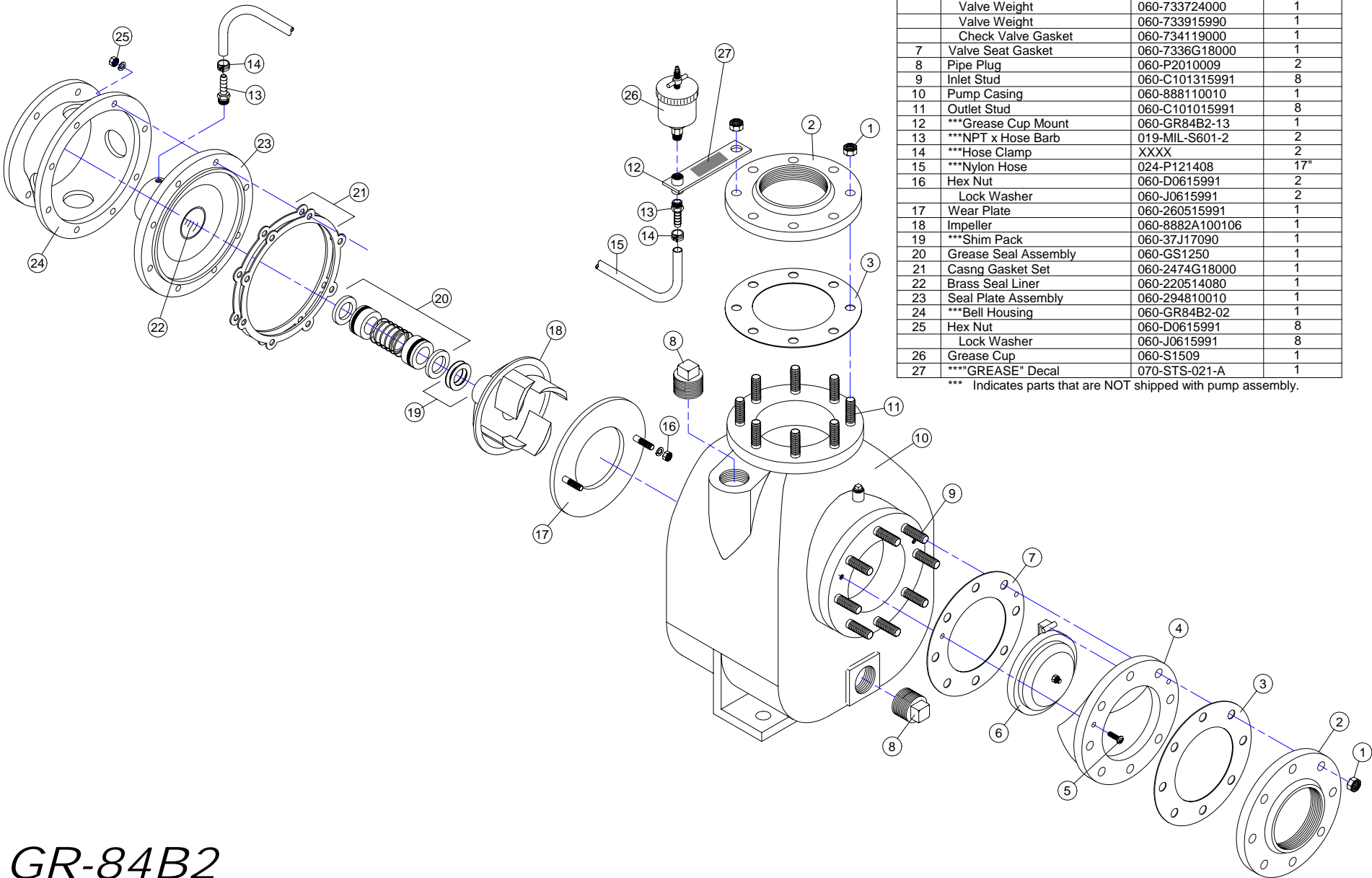


GR-84B2 ASSEMBLY PARTS LIST

(P/N #060-GR84B2-KIT)

REF #	DESCRIPTION	STS PART NUMBER	QTY REQ.
1	Hex Nut	060-D105991	16
2	Pipe Flange	060-175610010	2
3	Flange Gasket	060-1676G18000	2
4	Check Valve Seat	060-733610010	1
5	HD Machine Screw	060-X040317090	2
6	Flap Valve Assembly	060-7340	1
	Hex Head Capscrew	060-B040317000	2
	Lock Washer	060-J0417090	2
	Valve Weight	060-733724000	1
	Valve Weight	060-733915990	1
	Check Valve Gasket	060-734119000	1
7	Valve Seat Gasket	060-7336G18000	1
8	Pipe Plug	060-P2010009	2
9	Inlet Stud	060-C101315991	8
10	Pump Casing	060-888110010	1
11	Outlet Stud	060-C101015991	8
12	***Grease Cup Mount	060-GR84B2-13	1
13	***NPT x Hose Barb	019-MIL-S601-2	2
14	***Hose Clamp	XXXX	2
15	***Nylon Hose	024-P121408	17"
16	Hex Nut	060-D0615991	2
	Lock Washer	060-J0615991	2
17	Wear Plate	060-260515991	1
18	Impeller	060-8882A100106	1
19	***Shim Pack	060-37J17090	1
20	Grease Seal Assembly	060-GS1250	1
21	Casng Gasket Set	060-2474G18000	1
22	Brass Seal Liner	060-220514080	1
23	Seal Plate Assembly	060-294810010	1
24	***Bell Housing	060-GR84B2-02	1
25	Hex Nut	060-D0615991	8
	Lock Washer	060-J0615991	8
26	Grease Cup	060-S1509	1
27	***"GREASE" Decal	070-ST5-021-A	1

*** Indicates parts that are NOT shipped with pump assembly.



GR-84B2