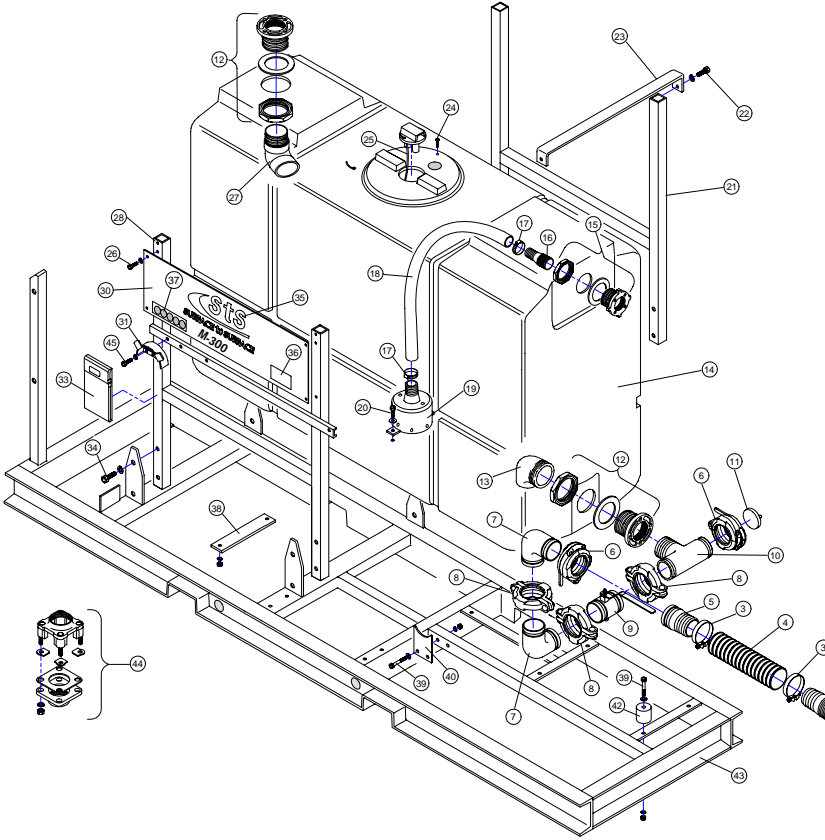
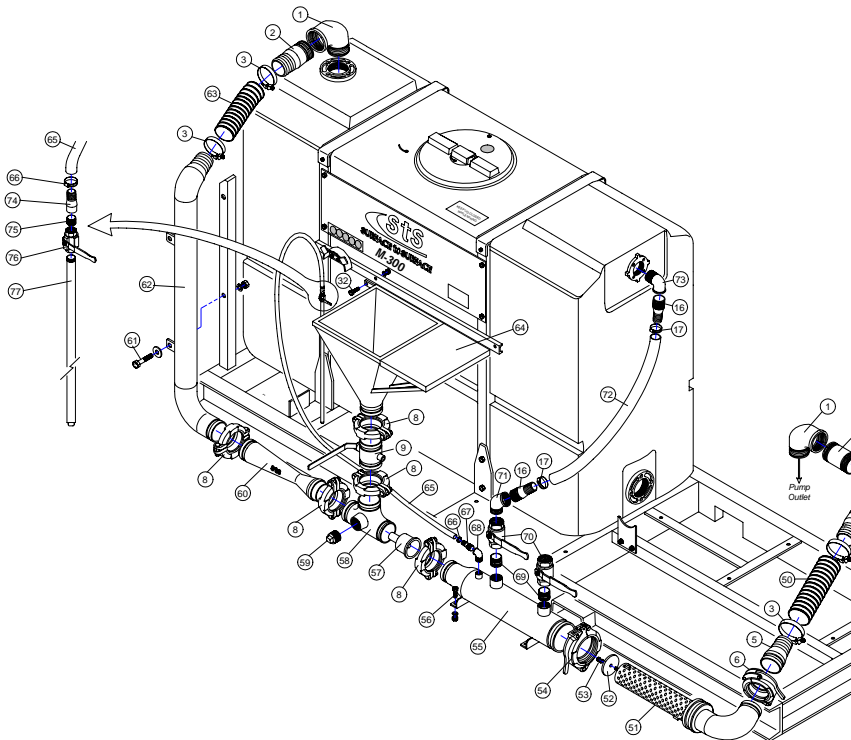


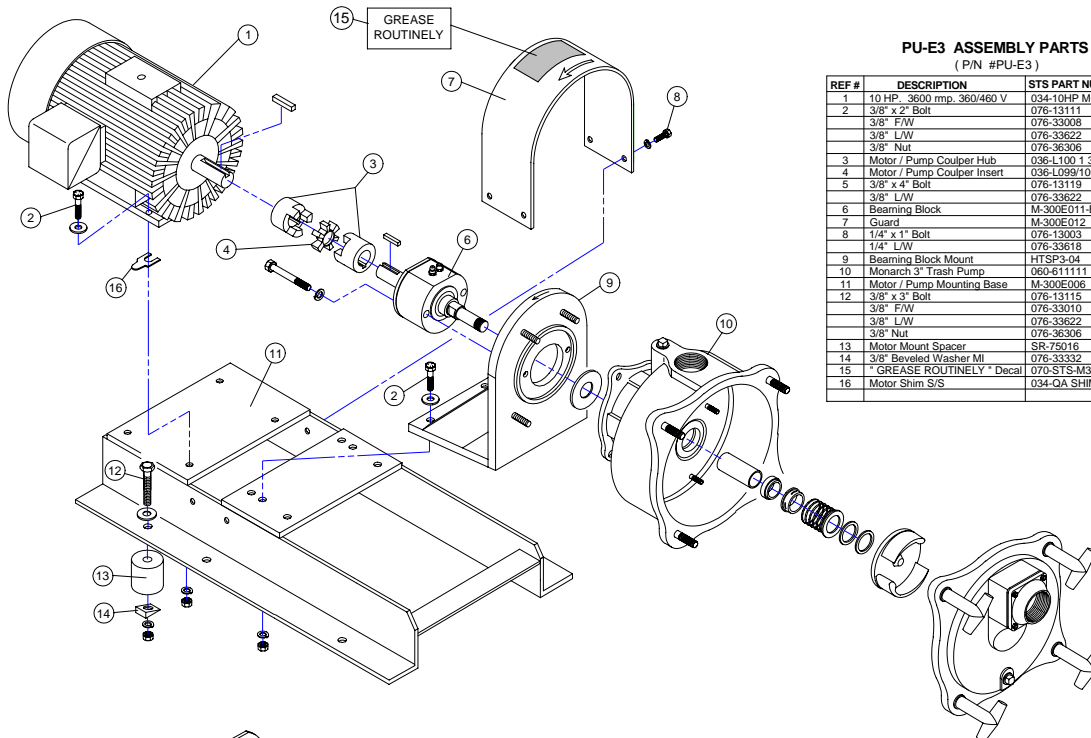
BU-300 ASSEMBLY PARTS LIST
(P/N #BU-300)



REF #	DESCRIPTION	STS PART NUMBER	QTY REQ.
1	3" NPT 90° Street Elbow	018-310-01760-3	3
2	3" NPT X Hose Barb	018-1661268258	3
3	3" Band Clamp	025-M6-86	6
4	3" Flex Hose	JR-3019-C	1
5	3" Groove x Hose Barb	020-1661-268287	2
6	3" Hinge-Loc Coupler	020-390-20006-1	3
7	3" Grooved 90° Elbow	020-390-01428-4	2
8	3" Groove-Loc Coupler	020-390-00030-5	8
9	3" Grooved Butterfly Valve	023-7005-01139	2
10	3" Grooved x NPT Suction Tee	020-9902900175	1
11	3" Grooved End Cap	020-390-03018-7	1
12	3" Tank Bung	086-3" TANK BUNG	2
13	90° PVC Suction Elbow	JR-3021-B	1
14	300 gal. Tank	086-MNP250NF	1
15	1 1/2" Tank Bung	086-1.5 BUNG	1
16	1 1/2" NPT X Hose Barb	018-1661268233	3
17	1 1/2" Gear Clamp	025-HS 28	4
18	1 1/2" Rubber Hose	SR-75078-B	1
19	Jet Gun Casting	JR-3020	1
20	1/4" x 1 1/2" Bolt	076-13009	2
	1/4" LW	076-33618	2
	1/4" FW	076-33004	2
	1/4" Nut	076-36302	2
21	Tank Up-rite (back side)	JR-3013	1
22	1/4" x 3/4" Bolt	076-13003	4
	1/4" LW	076-33618	4
23	Tank Straps	JR-3017	2
24	Security Screws	076-113400032SS	2
25	3/16" Poly Nylon Rope	084-3/16 ROPE	18"
26	1/4" x 1/2" Bolt	076-13001	4
	1/4" LW	076-33618	4
27	45° PVC Return Elbow	JR-3021-A	1
28	Tank Up-rite (hopper side)	JR-3012	1
29			
30	Sign Plate	JR-3047	1
31	Wash Wand Holder	SR-75017	1
32	3/8" x 1 1/4" Bolt	076-13107	2
	3/8" LW	076-33622	2
33	Operators Manual Holder	084-9000-07	1
	3/16" Rivet	076-41228	2
34	1/2" x 1" Bolt	076-13205	8
	1/2" LW	076-33626	1
35	Decal Set	070-BU-300SET	1
36	Serial Number Plate	071-ST5-001-300	1
37	Safety Decals	070-BU HCS KIT	1
38	Jet Gun Mounting Bar	SR-75049	1
39	3/8" x 3" Bolt	076-13115	6
	3/8" FW	076-33038	6
	3/8" LW	076-33622	6
	3/8" Nut	076-36306	6
40	Pipe Support	JR-3011	1
41			
42	Engine Mount Spacers	SR-75016	4
43	Base Frame	JR-301	1
44	2" Bottom Drain Bung	086-BF220BD	1
45	5/16" x 1" Bolt	076-13055	2
	5/16" LW	076-33620	2

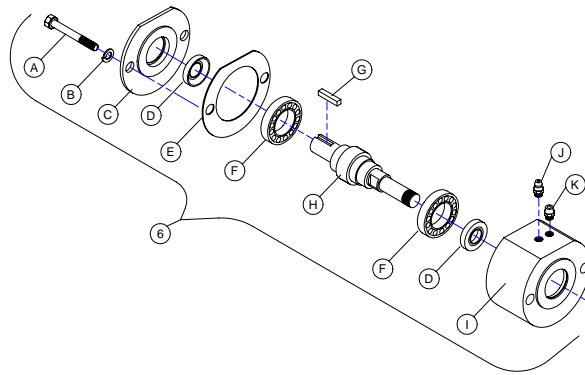


47	3" NPT x 5" Nipple	018-330-04620-2	1
48	3" NPT 90° Elbow	018-310-00220-9	1
49			
50	3" Flex Hose	JR-3019-D	1
51	Filter Shear Carriage	JR-3028	1
52	Filter Shear Carriage End Cap	JR-3028-3	1
53	5/16" NC Nut	076-36304	1
	5/16" LW	076-33620	1
54	5" Hinge-Loc Coupler	020-390-20012-9	1
55	Filter Shear Housing	JR-3030	1
56	3/8" x 1 1/4" Bolt	076-13107	4
	3/8" LW	076-33622	4
	3/8" Nut	076-36306	4
57	Jetting Nozzel	JR-3032-NE	1
58	Cast Jetting Tee	JR-3039	1
59	1 1/2" NPT Pipe Plug	018-318-90252-5	1
60	Cast Venturi Tube	JR-3038	1
61	1/2" x 2 1/2" Bolt	076-13213	2
	1/2" FW	076-33012	2
	1/2" LW	076-33626	2
	1/2" Nut	076-36310	2
62	Return Pipe	JR-3040	1
63	3" Flex Hose	JR-3019-E	1
64	Hopper with Table	JR-3033	1
65	3/4" Rubber Hose	SR-75074-H	1
66	3/4" Gear Clamp	025-HS-12	2
67	3/4" NPT x Hose Barb	018-1661268225	1
68	3/4" NPT 90° Street Elbow	018-310-01640-7	1
69	1 1/2" NPT x Close Nipple	018-330-03260-8	2
70	1 1/2" Ball Valve	022-423-00012-4	2
71	1 1/2" NPT 45° Street Elbow	018-310-02800-6	1
72	1 1/2" Rubber Hose	JR-3019-A	1
73	1 1/2" NPT 90° Street Elbow	018-310-01700-9	1
74	Wash Wand Adaptor	SR-75043	1
75	3/8" NPT x Close Nipple	018-330-00980-4	1
76	3/8" Ball Valve	022-423-00002-5	1
77	Wash Wand	SR-75047	1
78			
	Combined Parts (7) (8)	018-06	1
	Combined Parts (1) (2)	018-20	2
	Combined Parts (3) (4) (2)	018-21	1
	Combined Parts (3) (4)	018-22	1
	Combined Parts (7) (8)	018-23	1
	Bolt Board	075-#7 BOLT KIT	1



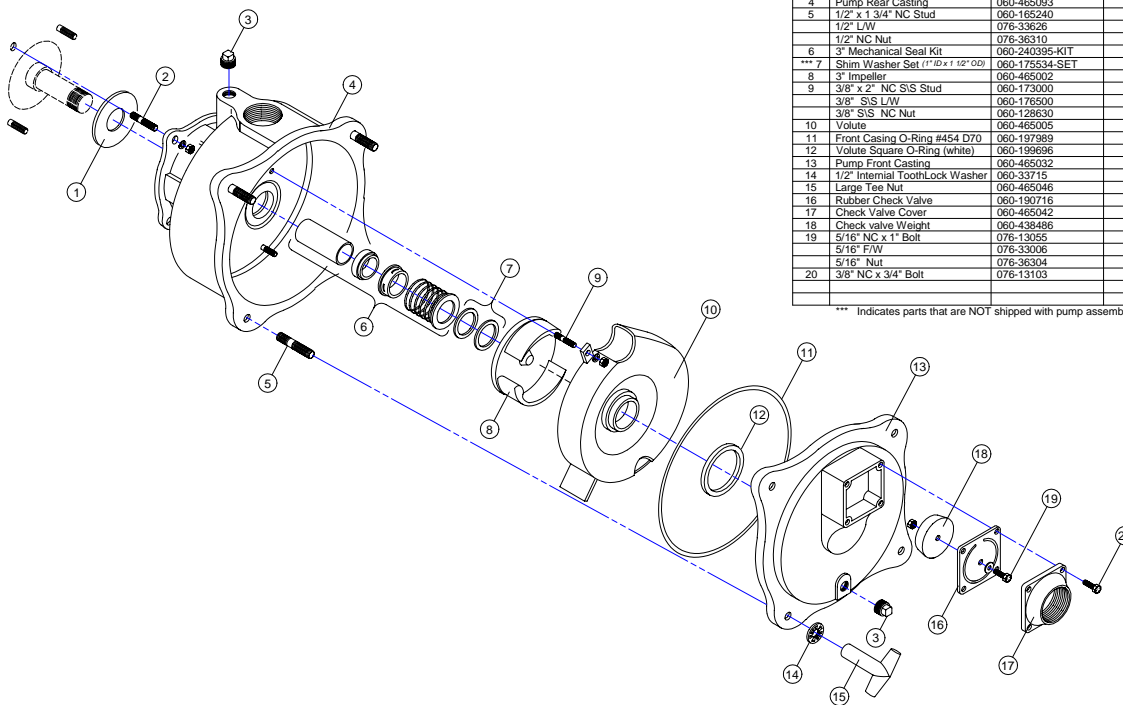
PU-E3 ASSEMBLY PARTS LIST
(P/N #PU-E3)

REF #	DESCRIPTION	STS PART NUMBER	QTY REQ.
1	10 HP, 3600 rpm, 360/460 V	034-101HP MOTOR	1
2	3/8" x 2" Bolt	076-13111	8
	3/8" F/W	076-33038	8
	3/8" L/W	076-33622	8
	3/8" Nut	076-36306	8
3	Motor / Pump Coupler Hub	036-L100 1 3/8	2
4	Motor / Pump Coupler Insert	036-L099/100	1
5	3/8" x 4" Bolt	076-13115	4
	3/8" L/W	076-33622	2
6	Bearing Block	M-300E011-B	1
7	Guard	M-300E012	1
8	1/4" x 1" Bolt	076-13003	4
	1/4" L/W	076-33618	4
9	Bearing Block Mount	HTSP3-04	1
10	Monarch 3" Trash Pump	060-611111	1
11	Motor / Pump Mounting Base	M-300E006	1
12	3/8" x 3" Bolt	076-13115	2
	3/8" F/W	076-33010	2
	3/8" L/W	076-33622	2
	3/8" Nut	076-36306	2
13	Motor Mount Spacer	SS-75016	2
14	3/8" Beveled Washer Ml	076-33332	2
15	" GREASE ROUTINELY " Decal	070-STS-M3-021-A	1
16	Motor Shim S/S	034-OA SHIM PACK	4



P/N #M-300E011-B
BEARING BLOCK ASSEMBLY PARTS LIST

REF #	DESCRIPTION	PART NUMBER	QTY REQ.
A	3/8" x 4" Bolt	076-13119	2
B	3/8" L/W	076-33622	2
C	Cover Plate	M-300E014-R	1
D	Shaft Seal	036-BAB-45-62-7	2
E	Gasket	036-200-06R	1
F	Bearing	036-6010/C3	2
G	5/16" Key Stock	036-47314	1 1/8"
H	Machined Shaft	M-300E009	1
I	Bearing Block Housing	036-300-R	1
J	1/8" Grease Fitting	036-60102	1
K	1/8" Grease Relief	036-1093K1	1



TSP-3 ASSEMBLY PARTS LIST
(P/N #060-611111)

REF #	DESCRIPTION	STS PART NUMBER	QTY REQ.
1	Rubber Flange	060-191270	1
2	3/8" x 1 1/2" NC Stud	060-164630	4
	3/8" L/W	076-33622	4
	3/8" Nut	076-36306	4
3	3/4" NPT Pipe Plug	018-318-90160-0	1
4	Pump Rear Casting	060-465093	1
5	1/2" x 1 3/4" NC Stud	060-165240	4
	1/2" L/W	076-33626	4
	1/2" NC Nut	076-36310	4
6	3" Mechanical Seal Kit	060-240395-KIT	1
*** 7	Shim Washer Set (1" ID x 1 1/2" OD)	060-175534-SET	1
8	3" Impeller	060-465002	1
9	3/8" x 2" NC S/S Stud	060-173000	2
	3/8" S/S L/W	060-178500	2
	3/8" S/S NC Nut	060-128630	2
10	Volute	060-465005	1
11	Front Casing O-Ring #454 D70	060-197989	1
12	Volute Square O-Ring (white)	060-198696	1
13	Pump Front Casting	060-465032	1
14	1/2" Internal ToothLock Washer	060-33715	4
15	Large Tee Nut	060-465046	4
16	Rubber Check Valve	060-190716	1
17	Check Valve Cover	060-465042	1
18	Check valve Weight	060-438486	1
19	5/16" NC x 1" Bolt	076-13055	1
	5/16" F/W	076-33006	1
	5/16" Nut	076-36304	1
20	3/8" NC x 3/4" Bolt	076-13103	4

*** Indicates parts that are NOT shipped with pump assembly.