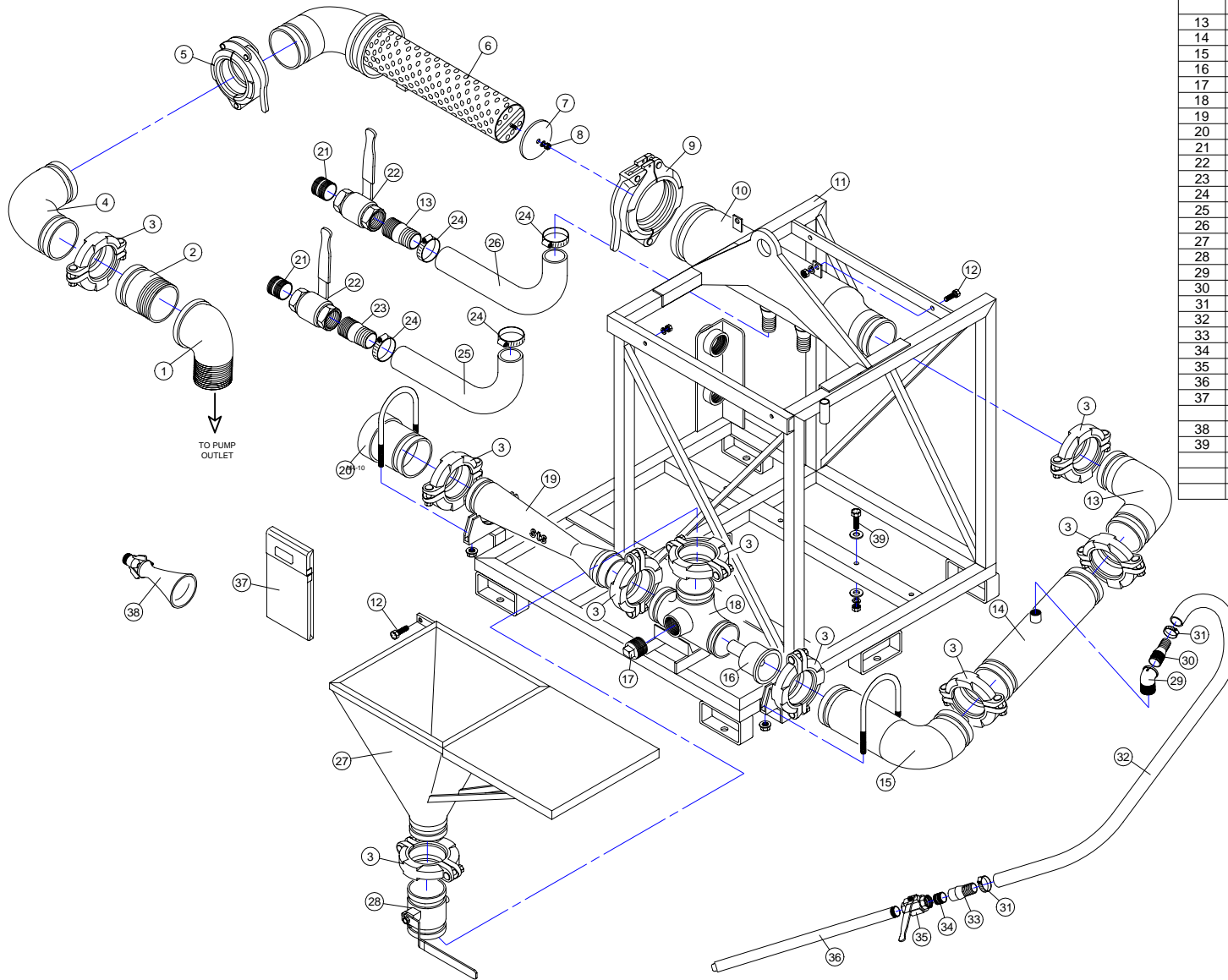



BU-M4 ASSEMBLY PARTS LIST
(P/N #BU-M4)

REF #	DESCRIPTION	STS PART NUMBER	QTY REQ.
1	4" NPT 90° Street Elbow	018-310-01780-1	1
2	Pump Discharge Pipe	M4-011	1
3	4" Groove-Loc Coupler	020-390-00034-7	9
4	4" Grooved 90° Elbow	020-390-01430-6	1
5	4" Hinge-Loc Coupler	020-390-20010-3	1
6	Filter / Shear	M4-017	1
7	Filter Shear Carriage End Cap	SR-75030-4	1
8	5/16" NC Nut	076-36304	1
	5/16" L/W	076-33620	1
9	6" Hinge-Loc Coupler	020-390-20060-8	1
10	Filter / Shear Housing	M4-016	1
11	Base Frame	M4-01	1
12	3/8" x 1 1/4" Bolt	076-13107	4
	3/8" F/W	076-33008	4
	3/8" L/W	076-33622	4
	3/8" Nut	076-36306	4
13	Filter / Shear Outlet Pipe	M4-013	1
14	Long Grooved End Pipe	M4-014	1
15	Mixing Tee Inlet Pipe	M4-012	1
16	Jetting Nozzel	SR-75020-NE	1
17	2" NPT Pipe Plug	018-318-90256-6	1
18	Jetting Tee	SR-75021	1
19	Venturi Tube	SR-75022	1
20	Discharge Adaptor	M4-010	1
21	2" NPT x Close Nipple	018-330-03700-3	2
22	2" Ball Valve	022-423-00014-0	2
23	2" NPT x Hose Barb	018-1661268241	2
24	2" Gear Clamp	025-HS-36	4
25	2" Rubber Hose	M4-019-A	1
26	2" Rubber Hose	M4-019-B	1
27	Hopper with Table	SR-75032	1
28	4" Grooved Butterfly Valve	023-7005-011403	1
29	3/4" NPT 45° Street Elbow	018-310-02740-4	1
30	3/4" NPT x Hose Barb	018-1661268225	1
31	3/4" Gear Clamp	025-HS-12	2
32	3/4" Rubber Hose	M4-019-C	1
33	Wash Wand Adaptor	SR-75043	1
34	3/8" NPT x Close Nipple	018-330-00980-4	1
35	3/8" Ball Valve	022-423-00002-5	1
36	Wash Wand	SR-75047	1
37	Operators Manual Holder	084-9000-07	1
	3/16" Rivet	076-41228	2
38	Mixing Nozzel (Jet Guns)	086-755XXX	4
39	7/16" x 1 1/2" Bolt	076-13159	6
	7/16" F/W	076-33010	12
	7/16" L/W	076-33624	6
	7/16" Nut	076-36308	6

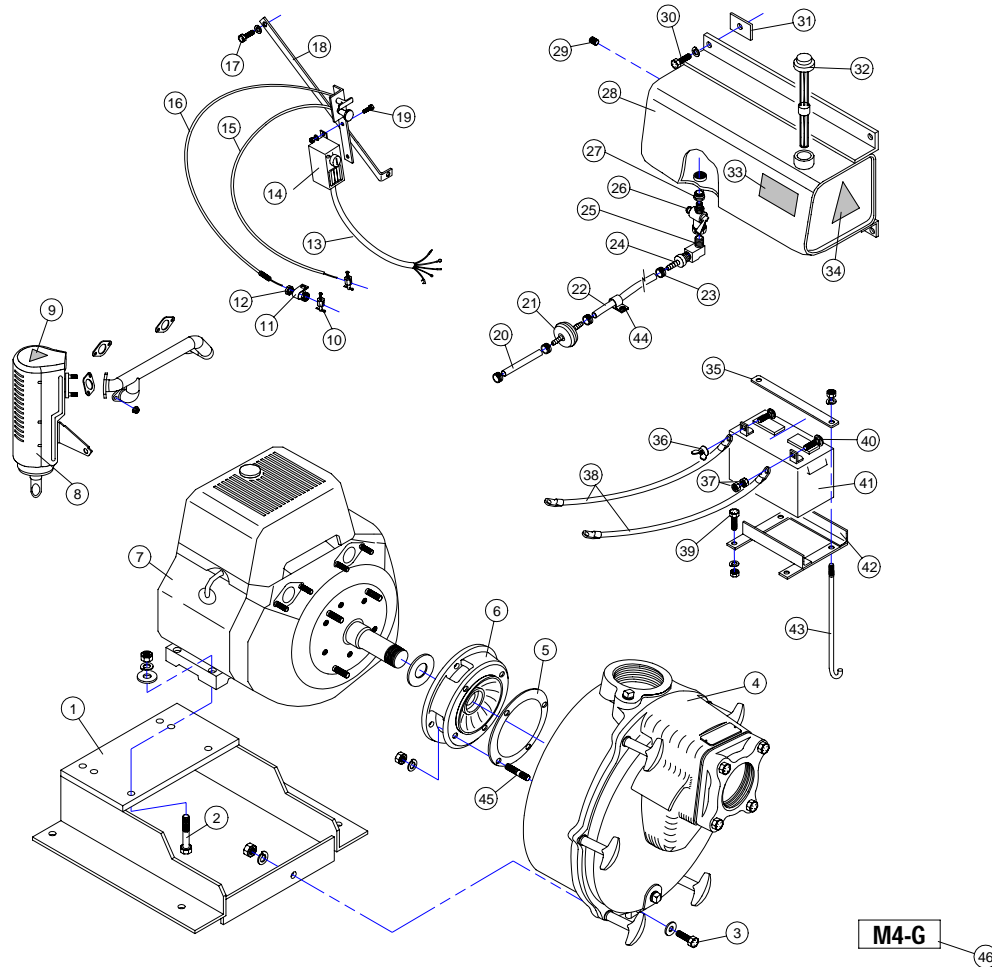




DWR. NUM.	DATE. 07 / 02 / 07
M4-Base Unit	REV.

PU-M4G ASSEMBLY PARTS LIST

(P/N #PU-M4G)



REF #	DESCRIPTION	STS PART NUMBER	QTY REQ.
1	Engine / Pump Mount Base	SR-75013	1
2	3/8" x 2" Bolt	076-13111	4
	3/8" F/W	076-33008	4
	3/8" L/W	076-33622	4
	3/8" Nut	076-36306	4
3	3/8" x 1 1/2" Bolt	076-13109	1
	3/8" L/W	076-33622	1
	3/8" F/W	076-33008	1
	3/8" Nut	076-36306	1
4****	Monarch 4" Trash Pump	060-611118	1
5	Adaptor Gasket	060-190725	1
6	Pump / Engine Adaptor	SR-75061	1
7	EH 63 Robin Gasoline Engine	033-EH65D	1
8	Muffler / Exhaust Kit (side mount)	033-92630004	1
9	"Hot Surface" Decal	070-16043-B AL	1
10	Control Cable Pull	032-39011-2	2
	Brass Machine Screw	076-75914	2
11	Loom Clip	089-DOM76-6088	1
12	3/8" NF Jam Nut	076-36256	2
13	EH63 12volt Wire Harness	SR-75077	1
14	Engine Control Panel	033-92630002	1
15	Choke Cable	032-WEA-8375	1
16	Throttle Cable	032-79V04-60	1
17	3/8" x 1 1/2" Bolt	076-13109	1
	3/8" L/W	076-33622	1
18	Control Panel Mount	SR-75062	1
19	1/4" x 1" Bolt	076-13003	2
	1/4" Nut	076-36302	2
20	1/4" Fuel Line	<i>included with Engine</i>	3"
21	Inline fuel filter	<i>included with Engine</i>	1
22	1/4" Fuel Line	024-RBR-27002	43"
23	1/4" Gas Line Clamps (or wire tie)	----	2
24	Brass Hose Barb	019-SCR 6363-D	1
25	Brass 90° Elbow	019-WEA 3400X	1
26	Brass Shut Off Valve	019-WEA 6829	1
27	Brass Bushing	019-WEA 3220X	1
28	Gasoline Tank	SR-75040	1
29	1/8" NPT Hex Pipe Plug	018-318-90352-3	1
30	3/8" x 1 1/2" Bolt	076-13109	4
	3/8" L/W	076-33622	4
	3/8" F/W	076-33008	4
31	Spacer	SR-75041	4
32	Filler Cap w/Gauge	062-N52200B-13	1
33	"Unleaded Gasoline Only" Decal	STS-030-C	1
34	"Flammable" Decal	070-16020-A	1
35	Battery Hold Down	SR-75046-A	1
36	1/4" Wingnut	076-37745	1
37	1/4" Nut	076-36302	2
38	Battery Cable	087-EC A14-6L	2
39	5/16" x 1" Bolt	076-13055	3
	5/16" L/W	076-33620	3
	5/16" Nut	076-36304	2
40	1/4" x 1" Carriage Bolt	076-21155	2
41	12volt Battery	087-SP30	1
42	Battery Box	SR-75001-M	1
43	"J" Style Hold Down Bolt	SR-75046-B	2
	1/4" L/W	076-33618	2
	1/4" Nut	076-36302	2
44	Loom Clip	089-EC ST71	1
45	1/2" x 1 3/4" Stud	060-165240	4
	1/2" L/W	076-33626	4
	1/2" Nut	076-36310	4
46	"M4-G" Decal	M4-20-G	1

**** See TSP-4 Pump for parts List

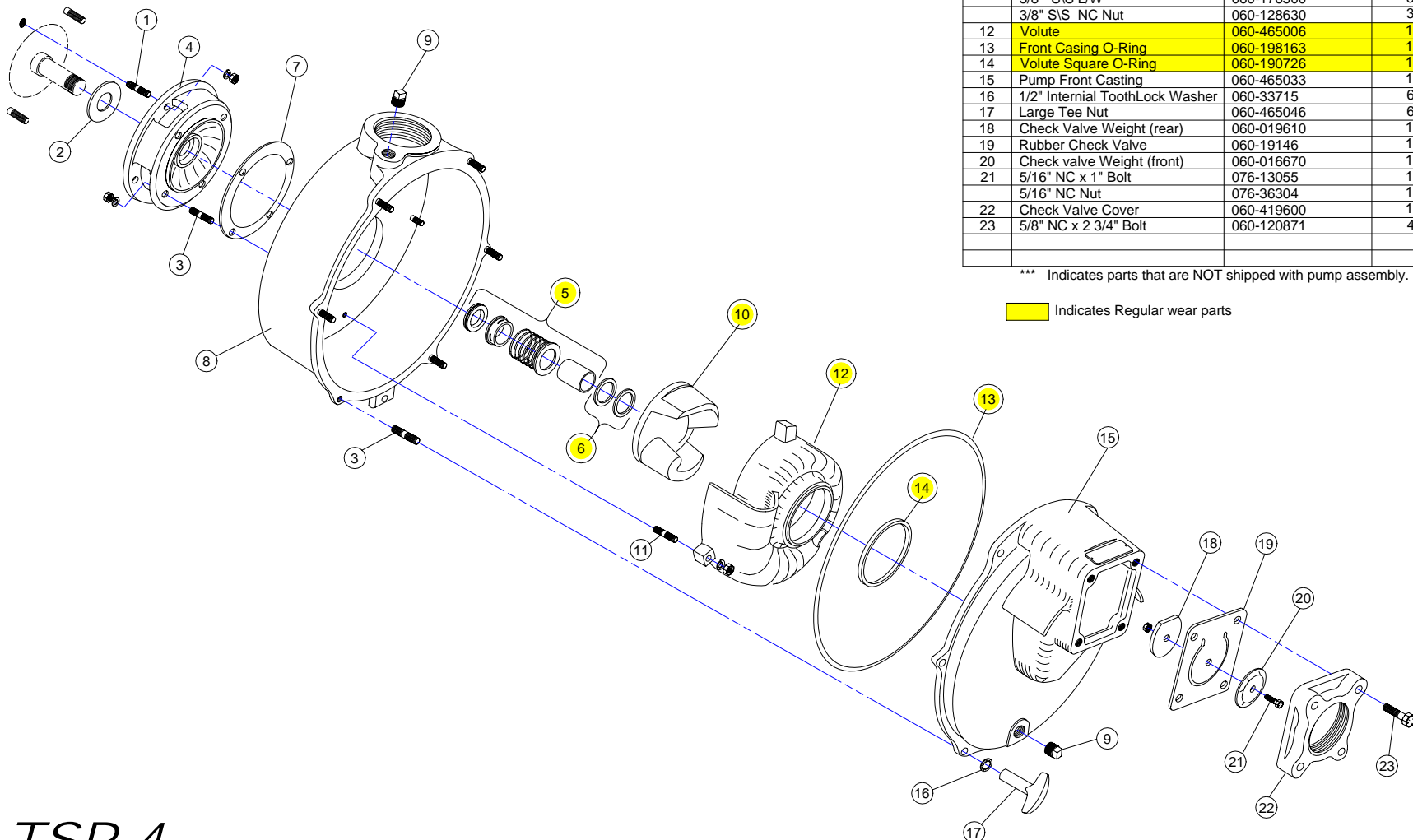
TSP-4 ASSEMBLY PARTS LIST

(P/N #060-611118)

REF #	DESCRIPTION	STS PART NUMBER	QTY REQ.
*** 1	7/16" x 1 3/4" NC Stud	060-164940	4
	7/16" L/W	076-33624	4
	7/16" NC Nut	076-36308	4
2	Rubber Flinger	060-190849	1
*** 3	1/2" x 1 3/4" NC Stud	060-165240	10
	1/2" L/W	076-33626	4
	1/2" NC Nut	076-36310	4
*** 4	Engine/Pump Adaptor	SR-75061	1
5	4" Mechanical Seal Kit	060-240396-KIT	1
*** 6	Shim Washer Set (1" ID x 1 1/2" OD)	060-175534-SET	1
*** 7	Adaptor Gasket	060-190725	1
8	Pump Rear Casting	060-465094	1
9	3/4" NPT Pipe Plug	018-318-90160-0	1
10	4" Impeller	060-465064	1
11	3/8" x 2" NC S/S Stud	060-173000	3
	3/8" S/S L/W	060-176500	3
	3/8" S/S NC Nut	060-128630	3
12	Volute	060-465006	1
13	Front Casing O-Ring	060-198163	1
14	Volute Square O-Ring	060-190726	1
15	Pump Front Casting	060-465033	1
16	1/2" Internal ToothLock Washer	060-33715	6
17	Large Tee Nut	060-465046	6
18	Check Valve Weight (rear)	060-019610	1
19	Rubber Check Valve	060-19146	1
20	Check valve Weight (front)	060-016670	1
	5/16" NC x 1" Bolt	076-13055	1
	5/16" NC Nut	076-36304	1
22	Check Valve Cover	060-419600	1
23	5/8" NC x 2 3/4" Bolt	060-120871	4

*** Indicates parts that are NOT shipped with pump assembly.

Indicates Regular wear parts



TSP-4